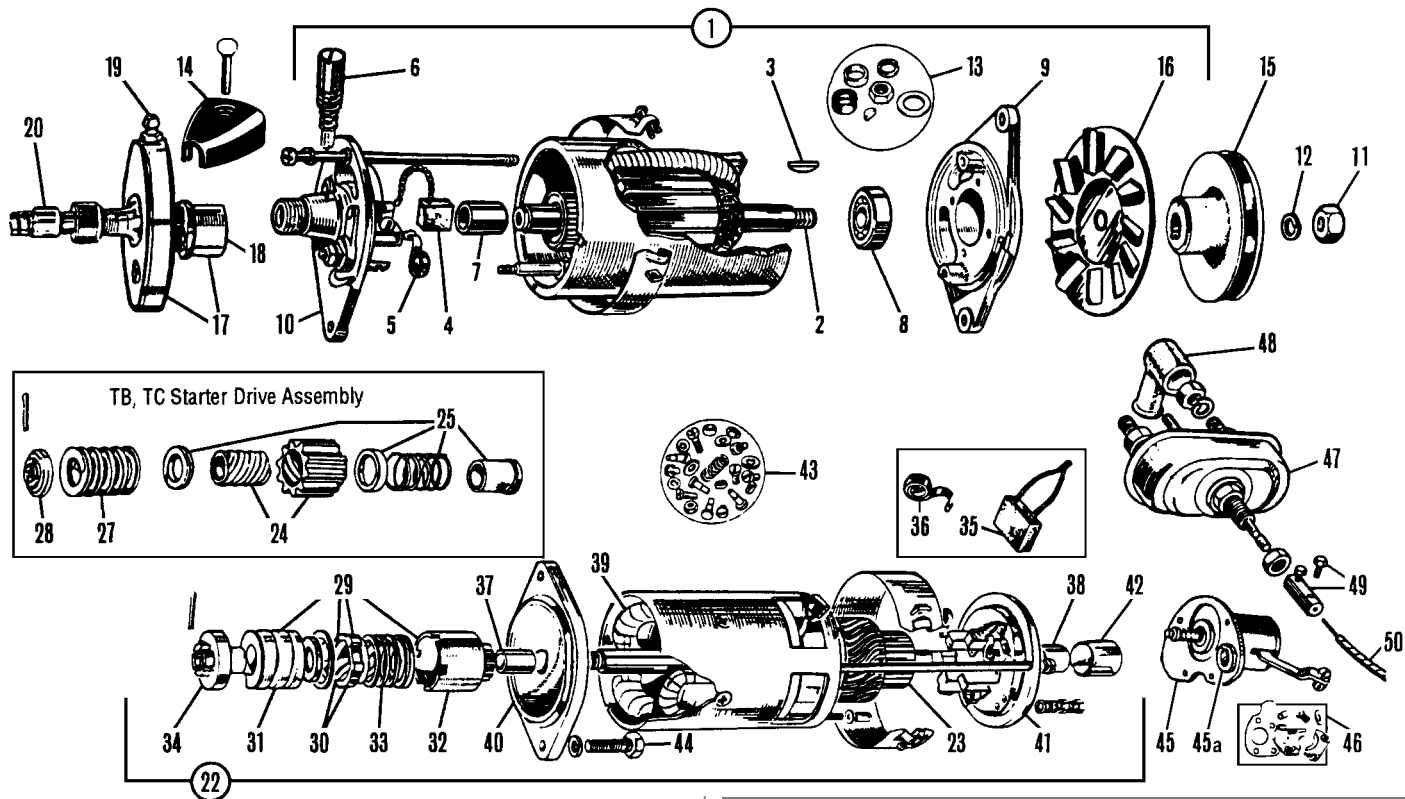
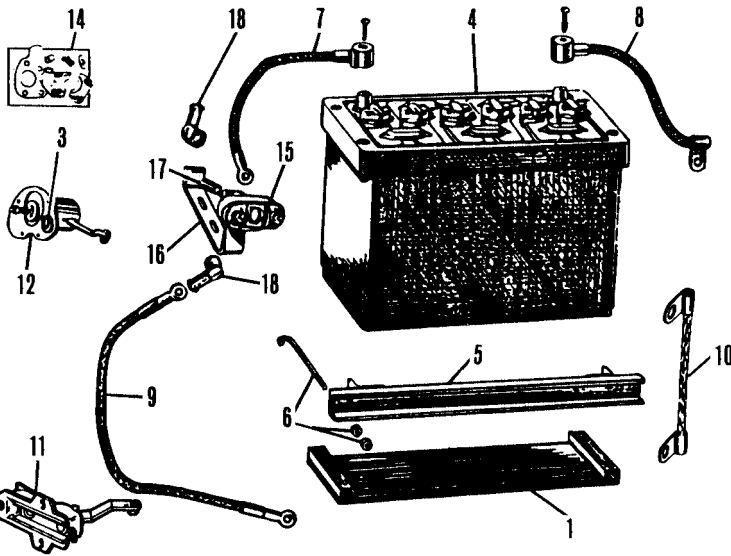


64 | Dynamo & Starter Motor



iii. No	Part Number	Description	Qty. Req.	Details
Dynamo				
1	EL177	DYNAMO, recon, exchange	1	TB, TC
	AEJ49	DYNAMO, New	1	} TD, TF
		replacement type with Lucar terminals		
2		ARMATURE, dynamo	NLA	
		<i>NOTE: TA dynamos are no longer available.</i>		
3	327-030	KEY, armature shaft	1	all models
4	147-100	BRUSH SET, dynamo	1	TC
	GGB105	BRUSH SET, dynamo	1	TD, TF
5	7H5031	SPRING SET, dynamo brush	1	all models
6	147-900	OILER, dynamo	1	}
7	148-000	BUSH, dynamo	1	
	7H5390	BUSH, dynamo	1	TD, TF
8	7H5021	BEARING, dynamo	1	TC
	18G8169	BEARING, dynamo	1	TD, TF
9	148-100	PLATE, drive end	1	TC
	147-300	PLATE, drive end	1	TD, TF
10	147-500	PLATE, commutator end	1	}
11	AJD8207Z	NUT, armature shaft	1	
	NT607041	NUT, armature shaft	1	TD, TF
12	146-500	LOCK WASHER, armature shaft	1	TC
	GHF334	LOCK WASHER, armature shaft	1	TD, TF
13		SUNDRY PARTS KIT	NLA	TD, TF
14	149-950	COVER, dynamo terminal	1	TC
	433-680	PULLEY/FAN, dynamo	1	}
	433-655*	PULLEY/FAN, dynamo	1	
	433-660*	PULLEY, dynamo	1	late TD, TF
16	AEC82*	FAN, dynamo	1	
		<i>*The pulley & fan for early and late TD dynamos are interchangeable.</i>		
17	PWT923	GEARBOX, tachometer reduction	1	TA type
	27H210#	GEARBOX, tachometer reduction	1	TC type
18	360-040	COUPLING KIT, gearbox to dynamo	1	
19	328-510	GREASE NIPPLE, tachometer	1	reduction gearbox to dynamo
		<i># The TC reduction gearbox can be fitted to TA & TB's when a tachometer cable with push-on tachometer end & screw-on dynamo end is used (part no. 331-045).</i>		
20	331-035	CABLE, tachometer, 48" (push-on both ends)	1	TA, TB
	331-045	CABLE, tachometer, 48" (push-on tacho' end & screw-on dynamo end)	1	}
	MM331-170	CABLE, tachometer, 48"	1	
	331-160	CABLE, tachometer, 40"	1	TD, TF, LHD

iii. No	Part Number	Description	Qty. Req.	Details
Starter Motor				
22	EL178	STARTER, reconditioned	1	TB, TC
	GEU9405	STARTER, New	1	TD, TF
		<i>Note: TA starters are no longer available.</i>		
23	7H5050	ARMATURE, starter	1	TD, TF
24	7H5008	DRIVE, starter	1	}
25	070062	KIT, starter drive retaining	1	
27	7H5007	SPRING, main	1	}
28	503527	NUT	1	
29		DRIVE, starter	1	}
30	148-900	SLEEVE & NUT	1	
31	7H5045	SPRING, main	1	TD, TF
32	500892	PINION	1	}
33	501711	SPRING, pinion	1	
34	503527	NUT	1	TF & replacement starters
35	GSB103	BRUSH SET, starter	2	TB, TC
	GSB102	BRUSH SET, starter	1	TD, TF
36	27H2291K	SPRING SET, starter brush	1	TB, TC
	509819A	SPRING SET, starter brush	1	TD, TF
37	244714A	BUSH, drive end	1	TB, TC
	7H5049	BUSH, drive end	1	TD, TF
38	242958A	BUSH, commutator end	1	TB, TC
	511141	BUSH, commutator end	1	TD, TF
39		FIELD COIL SET	1	TB, TC
40		PLATE, drive end, with bush	1	}
41		PLATE, drive end, with bush	1	
42		PLATE, comm. end, with brushes	1	TD, TF
42		CAP, armature end	1	
43	7H5156	SUNDRY PARTS KIT	1	
44	320-510	BOLT, starter to blocks	2/3	all models (TB, TC uses 3)
	145-710	SWITCH, starter	1	TA
45	145-700	SWITCH, starter	1	}
45a	161-400	BUSH, rubber	1	
46	150-100	COPPER CONTACT SET	1	}
47	3H949	SWITCH, starter	1	
48	8G548	RUBBER BOOT, switch terminals	2	TD, TF
49	3H950	COUPLING, cable to switch	1	}
50		CABLE, starter switch	1	
Starting Handles				
		<i>Authentic reproductions with brass handle.</i>		
		<i>Very handy for adjusting valves, and, for starting the car when all else fails.</i>		
NI	386-140	Starting Handle	1	TA, TB, TC
NI	386-150	Starting Handle	1	TD, TF

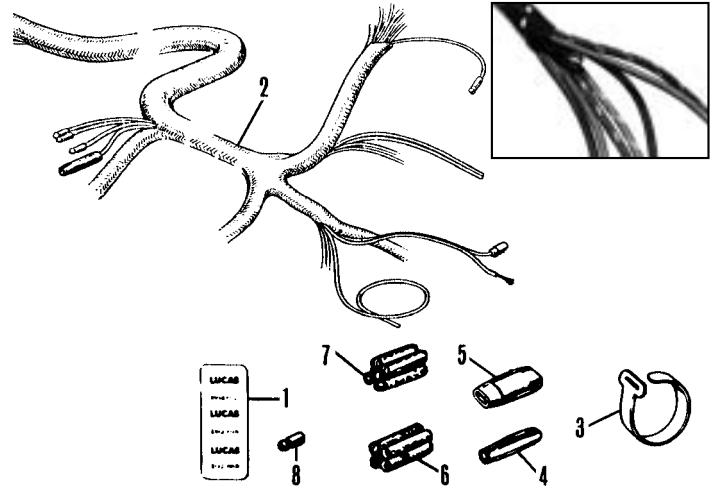


ill. Part Number Description Qty. Details No Req.

Batteries/Fittings, Cables & Switches

See also Accessories

1	407-710	BATTERY TRAY, wooden	1	TD, TF (as original)
2	AM7301	LINER, battery tray (Accessory)	1	TD, TF (photograph)
<i>This clever - yet functional item, completely hides all but the most terminal symptoms of battery box plaque. Ribbed for extra strength, this batter tray not only protects against corrosion, but also makes cleaning around the battery much easier.</i>				
NI	BHA4140	COVER, battery	2	TA, TB (& MGA)
<i>Our vintage style tar-top batteries provide the perfect finishing touch to a correct restoration. Black hard rubber case and exposed lead cell connectors are reproduced in the proper period style.</i>				
	GBY3031D11	BATTERY, 6V tar-top, dry	2	TA, TB
4	MM459-400	BATTERY, 12V tar-top, dry	1	TC, TD, TF
5	407-700	BRACKET, battery securing	1	TD, TF
6	407-618	BOLT & NUT SET, battery mounting	1	TD, TF (2 of each)
7	332-050	CABLE, battery to starter	1	TC
	332-040	CABLE, battery to switch	1	TD, TF
8	736-085	CABLE, battery to earth	1	TC
	332-020	CABLE, battery to earth	1	TD, TF
9	AHA7776	CABLE, switch to starter	1	
10	AHH5452	CABLE, frame to gearbox	1	all models
11	145-710	SWITCH, starter	1	TA
12	145-700	SWITCH, starter	1	
13	161-400	BUSH, rubber	1	TB, TC
14	150-100	CONTACT SET, starter switch	1	
15	3H949	SWITCH, starter	1	
16	AHH5002X	BRACKET, starter switch	1	TD, TF
17	3H950	COUPLING, cable to switch	1	
18	8G548	RUBBER BOOT, switch terminals	2	



ill. Part Number Description Qty. Details No Req.

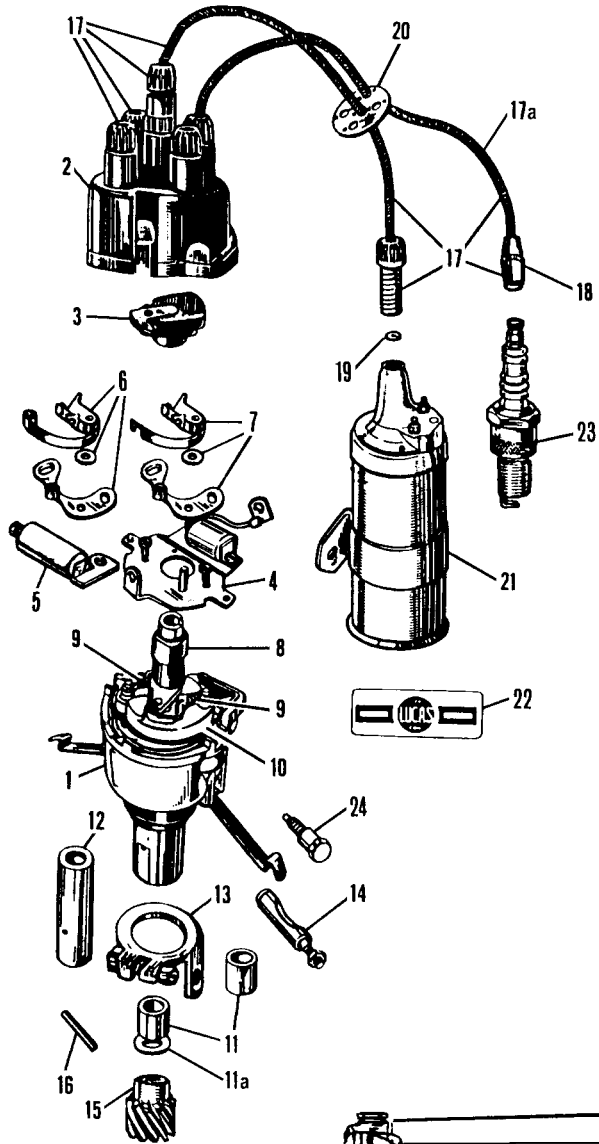
Wiring Looms & Connectors

All of our T-series wiring looms feature original style braided cloth binding over original type lacquer-braided individual wires. These are colour-coded to original specifications and include required connectors. As was the case with factory replacement looms, neither the under-dash sub-loom connecting between various points on the dash itself, nor the TF headlamp pigtails are included.

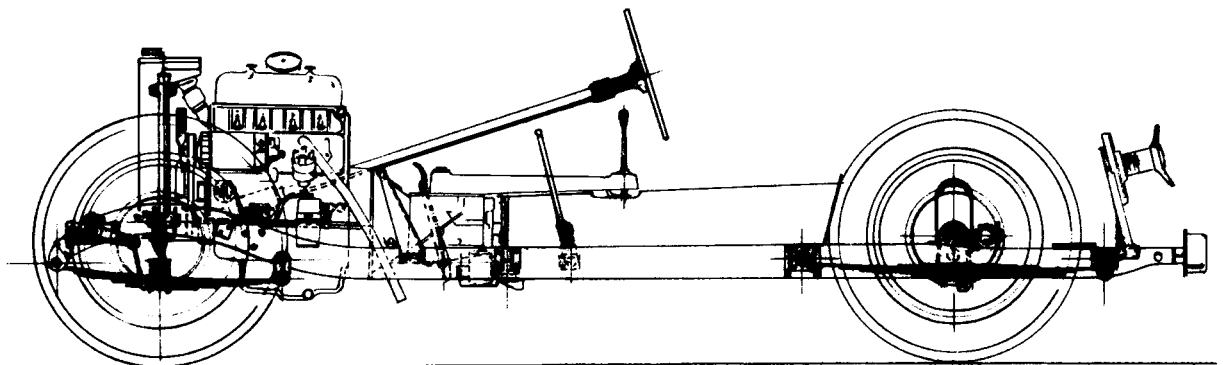
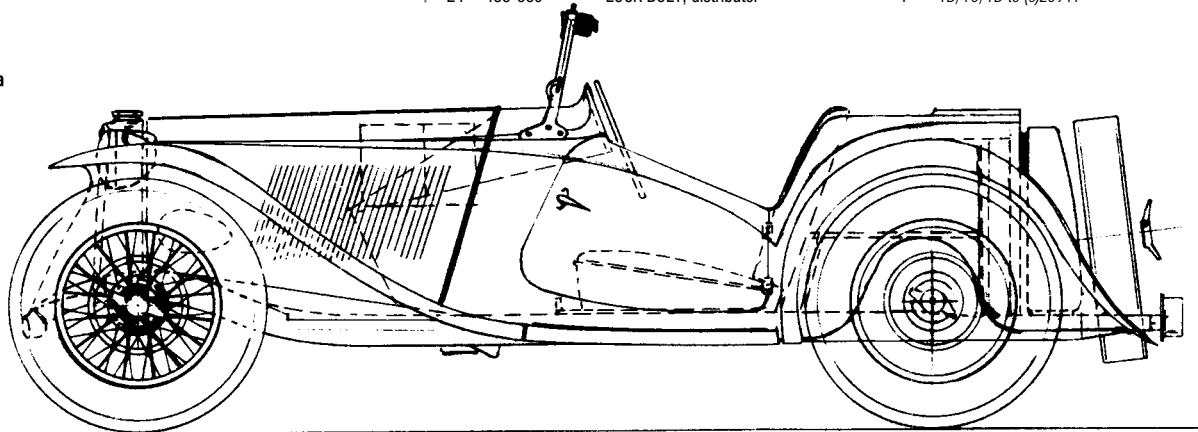
For U.K. MOT purposes any car manufactured after 1936 must carry red rear/white front indicators or separate amber ones, our looms marked with * allows indicators to be incorporated in the side & tail lamps.

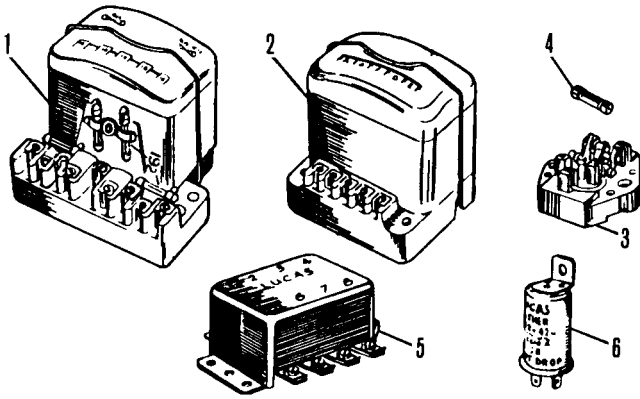
1	CRST122	DECAL ('LUCAS')	a/r	
2	357-470	WIRING LOOM, lacquer-braid (no wires for indicators)	1	TA, TB
	357-475*	WIRING LOOM, lacquer-braid (with wires for side & tail lights)	1	
	357-480	WIRING LOOM, lacquer-braid (no wires for indicators)	1	TC
	357-030	WIRING LOOM, lacquer-braid (wires for separate indicators)	1	
	357-040*	WIRING LOOM, lacquer-braid (with indicator wires to incorporate side & tail lights)	1	TD to (c)18882
	357-060	WIRING LOOM, lacquer-braid (dash-mounted dip switch & no wires for indicators)	1	
	357-485	WIRING LOOM, lacquer-braid (dash-mounted dip switch & wires for separate indicators)	1	TD from (c)18883
	357-070*	WIRING LOOM, lacquer-braid (dash-mounted dip switch & with indicator wires to incorporate side & tail lights)	1	
	357-490	WIRING LOOM, lacquer-braid (foot dip switch & no wires for indicators)	1	TD from (c)18883
	357-495	WIRING LOOM, lacquer-braid (foot dip switch & wires for separate indicators)	1	
	357-080*	WIRING LOOM, lacquer-braid (foot dip switch & with indicator wires to incorporate side & tail lights)	1	
	357-090	WIRING LOOM, lacquer-braid	1	TF
3	2K6640	STRAP, wire tie-down	a/r	rubber covered
4	2H3406	WIRE CONNECTOR, 1-way	a/r	
5	RTC603A	WIRE CONNECTOR, 2-way	a/r	
6	161-700	WIRE CONNECTOR, 4-way	a/r	
7	161-710	WIRE CONNECTOR, 5-way	a/r	
8	003632	BULLET CONNECTOR	a/r	
NI	GAC9906X	TAPE (non adhesive), Black	a/r	
NI	GAC9907X	TAPE (non adhesive), Blue	a/r	
NI	MQC1001	TAPE (self adhesive), Black	a/r	
NI	MQC1000	TAPE (self adhesive), Blue	a/r	

*These looms also require : 1 Relay (3H1454), 1 Flasher unit (GFU2101) & 1 Turn switch (AMK5607) plus, 1 Turn switch Knob (27H5511) & a quantity of 2 'double filament' bulb holders (157-600) for front side lights



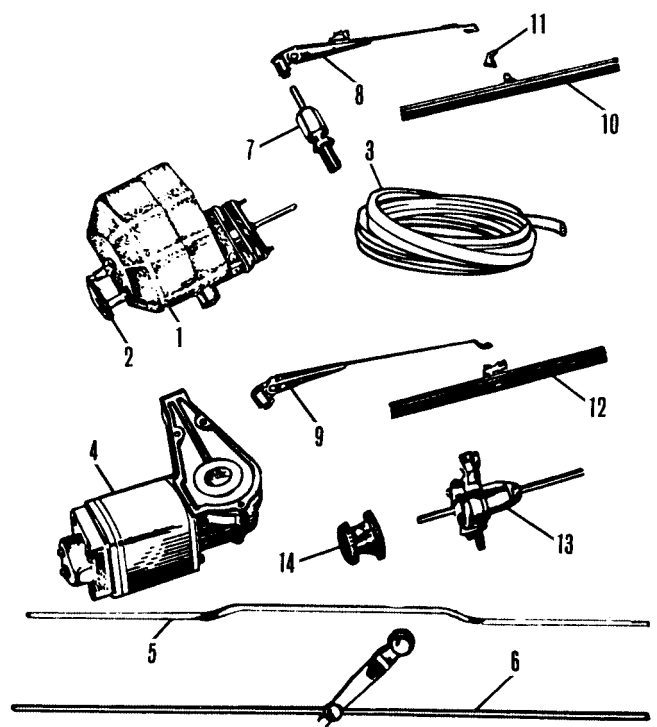
Ill. No	Part Number	Description	Qty. Req.	Details
Ignition System				
<i>See also Accessories</i>				
NI	222-688	ELECTRONIC IGNITION	1	All models
<i>See Accessories for full details.</i>				
1	143-000	DISTRIBUTOR	1	TC, early TD
	143-010	DISTRIBUTOR	1	late TD, TF
2	153-030	CAP, distributor	1	TA
	AAA4772	CAP, distributor	1	TB, TC, TD, TF
3	GRA2101	ROTOR ARM, distributor	1	all models
4	163-915	PLATE, with condenser	1	TA
	163-910	PLATE, with condenser	1	TB, TC, TD, TF
5	163-895	CONDENSER	1	TA
	163-900	CONDENSER, (screw-on type)	1	dist. no. 40367 & 40368
6	152-230	POINT SET	1	TA
7	GCS112	POINT SET	1	TB, TC, TD, TF
8		CAM, distributor	1	
9	152-300	SPRING, distributor, (pair)	1	dist. no. 40367 & 40368
10		WEIGHT, distributor	2	
11	168-008	BUSH SET, 2 bushes	1	dist. no. 40048 & 40162
11a	AUC3233	WASHER, copper	1	
	606895	BUSH, distributor	1	dist. no. 40367 & 40368 D/H
		BUSH, distributor	1	dist. no. 40368 A/B
13	163-710	CLAMP, distributor	1	TD to (e)20941
14	433-540	COTTER BOLT, distributor	1	TD from (e)20942, TF
15	433-520	GEAR, distributor	1	TB, TC, TD, TF
16	325-010	PIN, gear to shaft	1	
17	171-618	IGNITION LEAD SET, complete	1	
18	171-530	SPARK PLUG NUT	4	
	105036	COIL SCREW CONNECTOR	1	
19	17H5122	DISTRIBUTOR CAP NUT	5	all models
19	214279A	WASHER, brass	6	
20	171-540	LEAD SEPARATOR	1	
17a	AAA5981M	IGNITION LEAD (Black) (sold per metre)	a/r	
21	GCL101	COIL (modern screw type HT connection)	1	
	143-210	COIL (reproduction of original Q12)	1	
22	CRST156	DECAL 'LUCAS' (coil)	1	
23	152-110	SPARK PLUG, 1/2" reach	4	TA, TB, TC, TD to (e)22734
	N5C	SPARK PLUG, 3/4" reach	4	TD from (e)22735, TF
24	433-530	LOCK BOLT, distributor	1	TB, TC, TD to (e)20941





Ill. No	Part Number	Description	Qty. Req.	Details
1	141-900	REGULATOR, 9 post	1	TC, TD to (c)8141
2	3H1835	REGULATOR, 5 post	1	TD from (c)8142, TF
3	1G2613	FUSE BLOCK	1	}
4	GFS35X	FUSE, 35 amp	a/r	
	GFS50X	FUSE, 50 amp	a/r	
5	3H1454	RELAY, turn signal indicator	1	all models
6	GFU2101	FLASHER, turn signal (original)	1	screw terminals
	GFU2103	FLASHER, turn signal (replacement)	1	push-on terminals

Switches, Fuses & Regulator



Ill. No	Part Number	Description	Qty. Req.	Details
1	145-300	WIPER MOTOR, New	1	}
		BRUSH SET	1	
		COVER, with switch & handle	1	
2	160-500	HANDLE & NUT	1	TA, TB, TC, TD
3	162-020	WIPER WIRE, original type	1	}
4	145-400	WIPER MOTOR	1	
		MOTOR, without gear head	1	TF
5	451-110	CONNECTING BAR, wipers	1	TA, TB, TC, TD to (c)22314
6	451-140	CONNECTING BAR, wipers	1	TD from (c)23315
7	160-600	BEARING, idler	1/2	late TD uses 2
8	160-690	WIPER ARM, LH	1	TA, TB, TC, TD
	160-790	WIPER ARM, RH	1	TD to (c)23314
	160-700	WIPER ARM, LH	1	TD from (c)23315
	160-800	WIPER ARM, RH	1	
9	161-050	WIPER ARM	2	TF
10	160-300	WIPER BLADE	2	TA, TB, TC, TD
11	160-400	RUBBER RETAINER, wiper blade	2	
12	160-900	WIPER BLADE	2	
13		WHEEL BOX, LH (with switch)	1	TF
		WHEEL BOX, RH	1	
14	160-520	KNOB, wiper control	2	

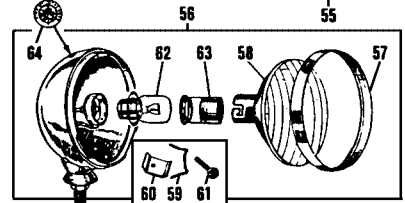
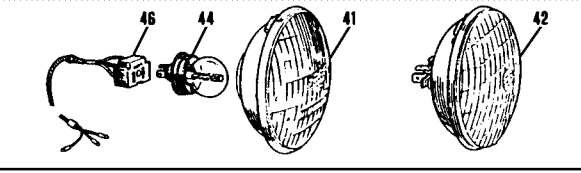
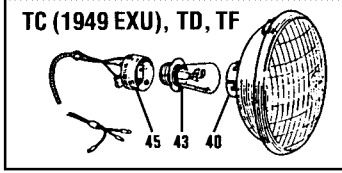
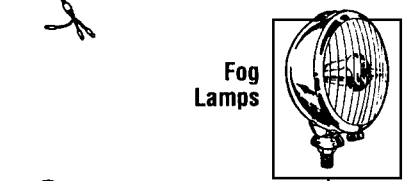
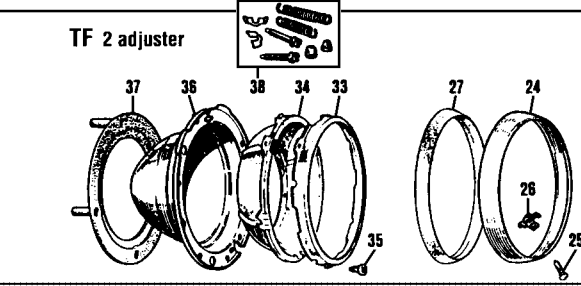
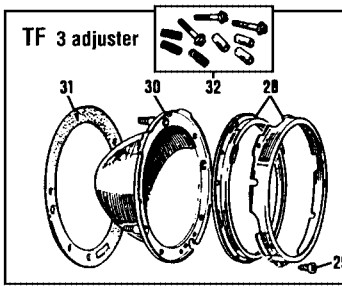
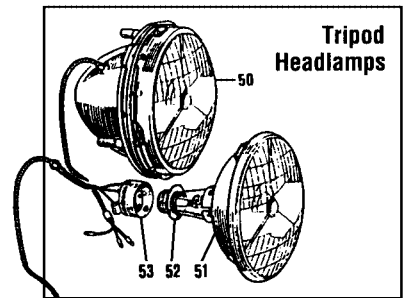
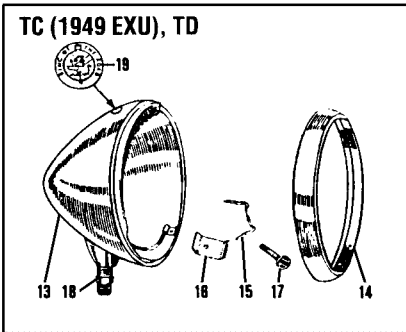
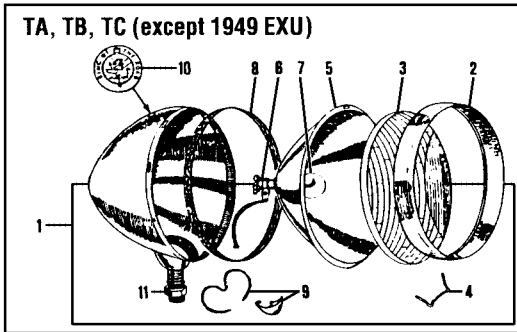
Wiper Motor, Arms & Blades

9	141-600	SWITCH, stop light	1	TA, TB, TC
10	150-700	SPRING, stop light switch	1	}
11	C16062A	SWITCH, stop light	1	
12	BAU1074A	SWITCH, reverse light	1	TD, TF
13	11G2007	SWITCH, dip, floor-mounted	1	optional TD, TF
14	235-885	MOUNTING BRACKET, dip switch	1	TD from (c)18883
15	140-600**	SWITCH, turn signal	1	}
16	GLB987	BULB, turn signal switch	1	
		**Can be fitted to TA's & TB's.		TC '1949 EXU' models
17	AMK5607	SWITCH, turn signal	1	TD, TF
18	11K9308	HANDLE, turn signal switch	1	
19	235-887	BRACKET, turn signal switch	1	TD

Horns

See also Accessories

15	165-900	HORN (exact repro. of TC original)	1	TA, TB, TC
16	1B9008	HORN, RH, high note	1	}
		(Lucas replacement)		
	1B9007	HORN, LH, low note	1	TD, TF
		(Lucas replacement)		
17	160-200	BRACKET, horn mounting (flexible)	2	
18	AAA2107	BRACKET, RH horn, on bulkhead	1	}
	AAA2088	BRACKET, LH horn, on bulkhead	1	



Ill. No	Part Number	Description	Qty. Req.	Details
---------	-------------	-------------	-----------	---------

Headlamps: TA, TB, TC except 1949 EXU models

1	169-018	HEADLAMP, 8" diameter	2	} later TC type
2	156-410	RIM, chrome	2	
3	171-120	GLASS LENS	2	
4	156-500	WIRE CLIP, lens to rim	8	
5	171-130	REFLECTOR UNIT, with socket	2	
6	171-150	SOCKET, reflector	2	
7	170-400	BULB, original headlamp	2	
8	281-098	SEAL SET, 2 rubber seals	1	
9	154-500	RETAINER, clip and wire	2	
10	154-910	MEDALLION, "King of the Road"	2	
11	146-300	NUT, headlamp to bracket	2	

Headlamp Buckets: TC 1949 EXU models & TD

13	143-310	BUCKET	2	chrome with Lucas medallion
	143-300	BUCKET	2	painted without medallion
14	156-400	RIM, chrome	2	
15	156-500	WIRE CLIP, light unit to rim	8	
16	156-000	CLIP, shell to rim	2	
17	158-000	SCREW, clip to shell, chrome	2	
18	146-300	NUT, headlamp to bracket	2	
19	154-910	MEDALLION, "King of the Road"	2	for 143-310 only

Headlamp Buckets: TF

24	142001	CHROME RIM, outer	2	} all TF models	
25	RTC465	SCREW, rim retaining	2		
26	37H7421A	CLIP, rim retaining	2		
27	3H2962	DUST EXCLUDER, rubber	2		
28	17H2505	INNER RIM, 2 pieces	2		
29	AB606021	SCREW, rim retaining	6		TF models
30	7H6838	HEADLAMP BUCKET, 3 adjuster type	2		with 3 adjusters
31	3H1031	SEAL, bucket to body	2		(as originally fitted)
32	17H5394K	ADJUSTER KIT	2		
		(incs. 3 screws, 3 springs & 3 sleeves)			
33	515281A	OUTER MOUNTING RING, chrome	2	} TF models	
34	SML4	INNER MOUNTING RING	2		
35	AB606021	SCREW, rim retaining	6		with 3 adjusters
36	SML3	HEADLAMP BUCKET, 2 adjuster type	2		(replacement type)
37	13H565	SEAL, bucket to body	2		
38	BHM7058	ADJUSTER KIT	2		
		(incs. 2 screws, 2 ferrules, 2 springs & 2 clips)			

Ill. No	Part Number	Description	Qty. Req.	Details
---------	-------------	-------------	-----------	---------

Headlamp Lenses & Bulbs: TC 1949 EXU models, TD, TF

40	GLU501	LIGHT UNIT, BPF lamp, RHD	2	
	GLU517	LIGHT UNIT, BPF lamp, LHD	2	
41	27H4146A	LIGHT UNIT, P45T asymmetric, LHD	2	
42	GLU101	LIGHT UNIT, sealed beam, RHD	2	
	BMK2508	LIGHT UNIT, sealed beam, LHD	2	
43	GLB414	BULB, BPF, clear, RHD	2	
	GLB415	BULB, BPF, clear, LHD	2	
	GLB409X	BULB, BPF, cadmium yellow, LHD	2	
44	GLB410	BULB, P45T, clear	2	
	GLB411	BULB, P45T, cadmium yellow	2	
	GLB2983	BULB, P45T, halogen, clear	2	
45	27H2333	ADAPTOR & CABLES	2	BPF units
46	BAU2110	ADAPTOR & CABLES	2	P45T & sealed beam units

Tripod Headlamps

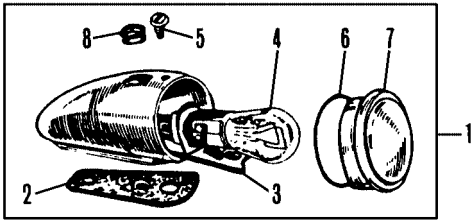
50	506370X*	TRIPOD HEADLAMP	2	} complete unit with bulb & adaptor	
		LIGHT UNIT	2		RHD models
		BULB	2		
53	27H2333	ADAPTOR & CABLES	2	} complete unit with bulb & adaptor	
50	507372X*	TRIPOD HEADLAMP	2		LHD models
		LIGHT UNIT	2		
		BULB	2		
53	27H2333	ADAPTOR & CABLES	2		

Fog Lamps

See also Accessories

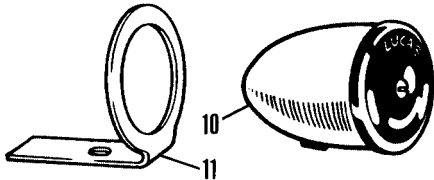
55	169-020	FOG LAMP	1	} (exact reproduction of FT27 assembly)
		BULB	1	
56	169-000	FOG LAMP	1	} (exact reproduction of Lucas SFT 462)
		RIM, chrome	1	
57	156-420	LIGHT UNIT	1	} TC from (c)4739
58	171-140	WIRE CLIP, light unit to rim	3	
59	154-200	CLIP, shell to rim	1	
60	156-000	SCREW, clip to shell, chrome	1	
61	323-090	BULB	1	
62	GLB382	BULB SHIELD	1	
63	171-410	MEDALLION, 'King of the Road'	1	
64	154-920		1	

ill. Part Number Description Qty. Details
No Req.



Side Lamp: all models

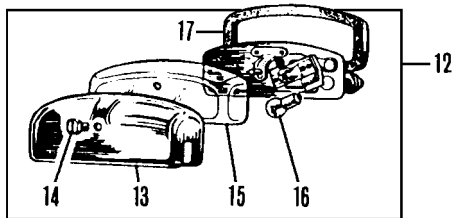
1	143-400	SIDE LAMP	2	with "King of the Road" medallion
2	281-068	PAD SET, lamp to wing	1	2 pads
3	157-600	SOCKET, double contact	2	included with side lamp
	157-590	SOCKET, single contact	2	Not included with side lamp
4	170-900	BULB, double contact	2	included with side lamp
	GLB207	BULB, single contact	2	Not included with side lamp
5	146-100	SCREW, lens retaining	2	chrome
6	281-088	RING SET, lens sealing	1	2 rubber rings
7	157-750	LENS, glass	2	with chrome rim
8	154-900	MEDAL (red plastic)	2	"King of the Road"



Rear Turn Signal Lamp

TC - 1949 USA Export models only

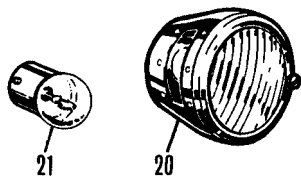
10	143-975	REAR TURN SIGNAL LAMP	2
11	143-985	BRACKET, rear turn signal	2



Number Plate Lamp

TC - 1949 USA Export models only, TD, TF

12	127916	NUMBER PLATE LAMP	1
13	502264	COVER	1
14	17H5385	SCREW, cover	1
15	601721A	LENS, glass	1
16	GLB989	BULB	1/2
17	57H5368	SEAL, rubber	1

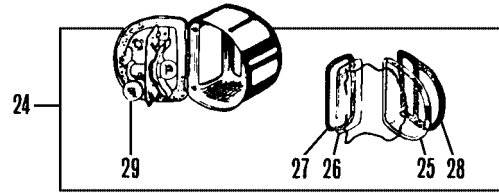


Tail Lamp Assembly

TA to (c)1789

20	143-890	TAIL LAMP, round	2
21	GLB207	BULB, original tail lamp	4

ill. Part Number Description Qty. Details
No Req.

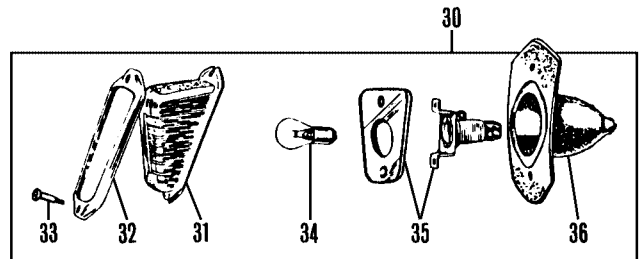


Tail Lamp Assembly

TA from (c)1790, TB, TC

(see "Body Panels & Fittings - Chassis Frame" for mounting plates)

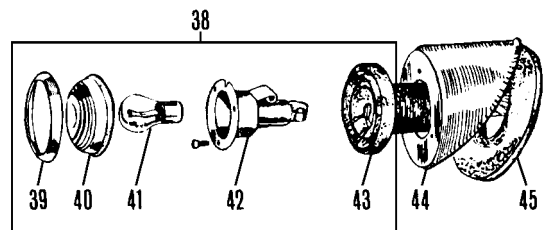
24	143-900	TAIL LAMP	2	chrome, original "D" lamp
25	154-600	LENS, split "D", red	2	
26	143-920	SIDE LENS, clear	2	
27	143-930	GASKET, side lens	2	
28	143-940	GASKET, split "D" lens	2	
29	GLB380	BULB, replacement tail lamp	2	
	GLB207	BULB, original tail lamp	4	



Tail Lamp Assembly

TD, up to (c)21302

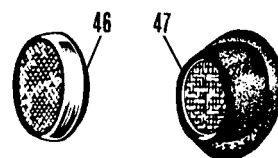
30	157-908	TAIL LAMP	2
31	501943X	GLASS LENS, tail lamp	2
32	157-920	RIM, chrome	2
33	157-800	SCREW, rim to wing, chrome	4
34	GLB380	BULB	2
35	158-310	SOCKET & PLATE	2
36	280-510	BODY	2



Tail Lamp Assembly

TD, from (c)21303, TF

38	3H1814	TAIL LAMP	2	
39	7H5182	RIM, chrome	2	
40	7H5183	LENS, glass	2	
41	GLB380	BULB	2	
42	17H5426	SOCKET	2	
43	37H5481	BODY	2	
44	406-900	ADAPTOR, lamp to wing, chrome	2	
45	281-338	PAD SET, adaptor to wing	1	includes 2 pads

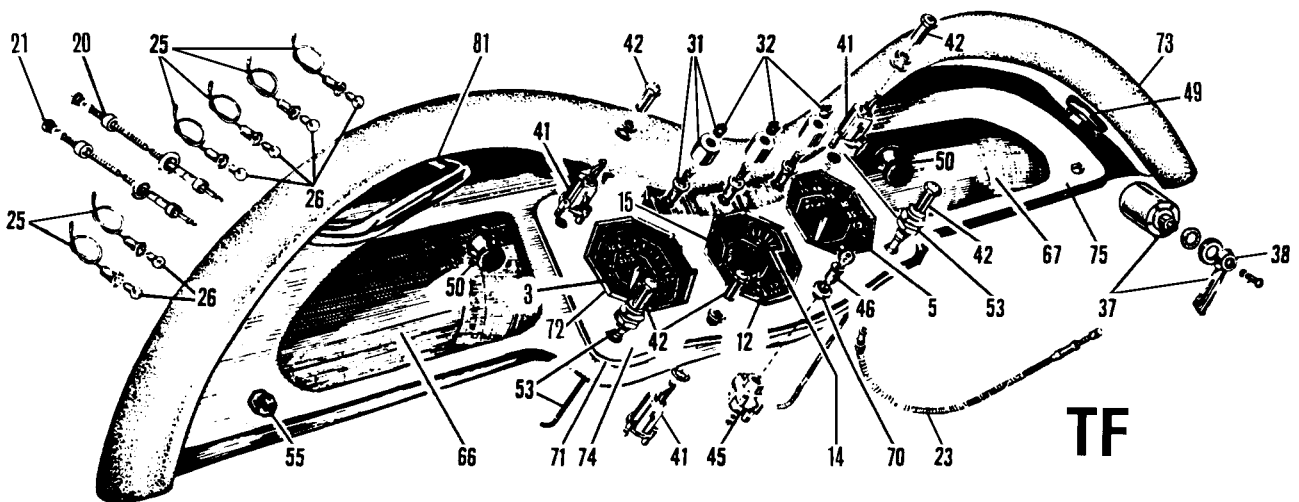
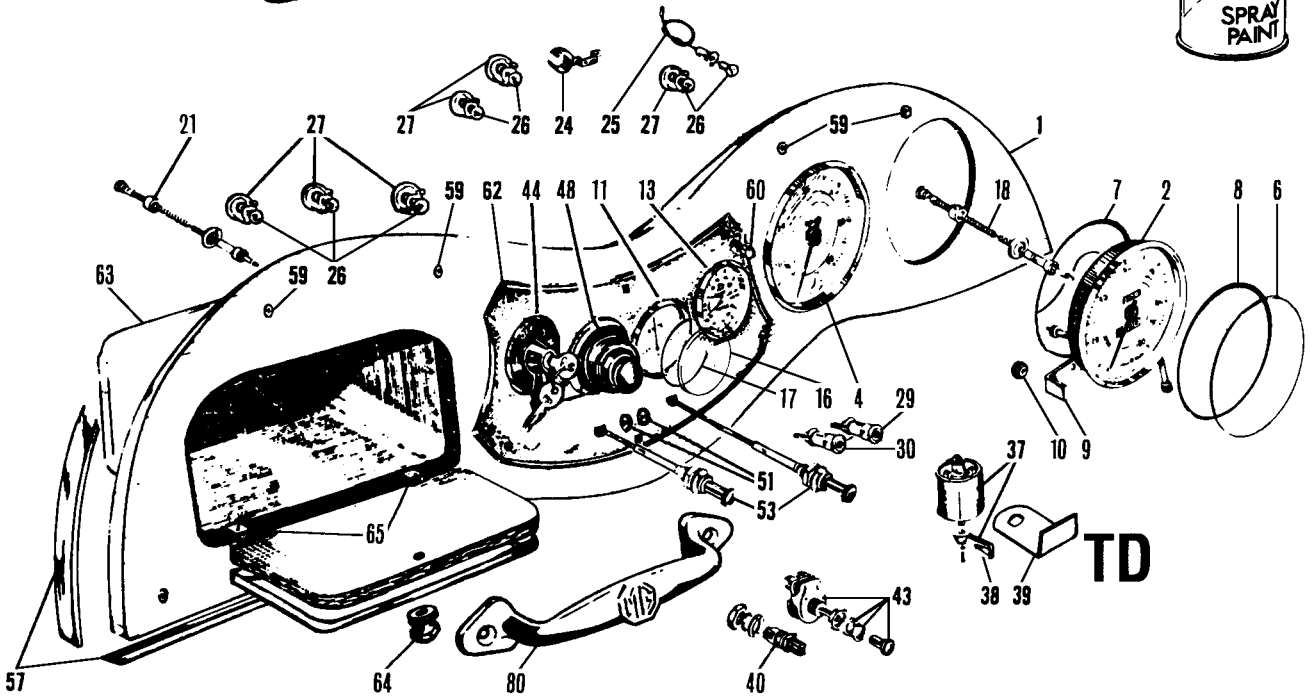
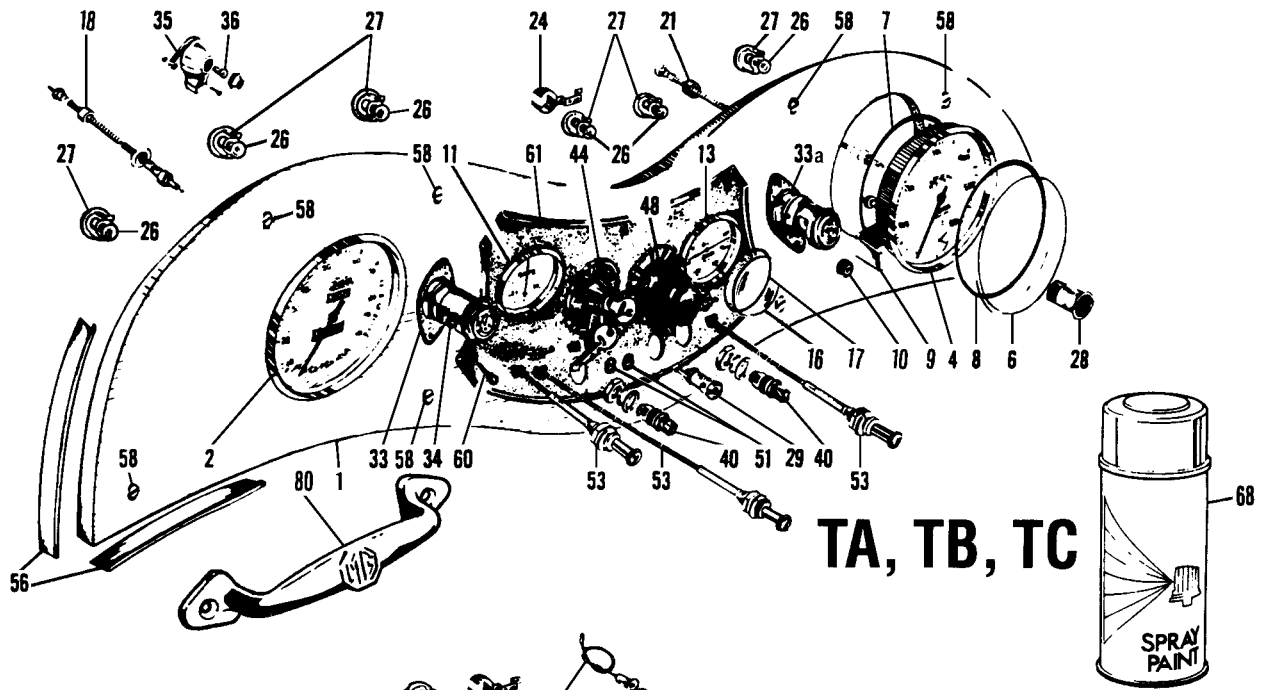


Reflector

TD & TF

46	144-700	REFLECTOR	2	late TD MkII
47	144-600	REFLECTOR	2	TF

70 | Dash Components



Ill. No	Part Number	Description	Qty. Req.	Details
---------	-------------	-------------	-----------	---------

Dashboard, Switches, Instruments & Cables

Dashboards, TA, TB, TC, TD

We offer dashboards both in a finished veneer or a plain plywood. TA's, TB's & TC's to approximately (c)5000 were originally fitted with the finished veneered dashboards. TC's from approximately (c) 5000 and all TDs were fitted with the plain plywood.

1	456-885	DASHBOARD, finished veneer	1] TA, TB
	456-895	DASHBOARD, plywood	1	
	233-635	DASHBOARD, finished veneer	1] TC
	456-890	DASHBOARD, plywood	1	
	233-530	DASHBOARD, finished walnut veneer	1] TD RHD
	233-570	DASHBOARD, plywood	1	
	233-645	DASHBOARD, finished walnut veneer	1] TD, LHD
	233-510	DASHBOARD, plywood	1	

Instruments & Cables

Our 'replica' speedometers & tachometers, while not quite original enough to call 'reproduction', are excellent replacements for the completely obsolete TC and early TD flat-faced instruments. They can also be used to replace the obsolete dish-faced TD instruments if required.

We no longer offer rebuilding service on speedometers, tachometers or clocks.

2	360-460	REPLICA SPEEDOMETER	1] TC, TD to (c)10778
		SPEEDOMETER, (repro of original)	1	
3		SPEEDOMETER, (repro of original)	1] TF
		METAL FACE SET, tacho & speedo'	1	
4	360-470	REPLICA TACHOMETER	1] TC, TD to (c)10778
		TACHOMETER, repro. of original	1	
5		TACHOMETER, repro. of original	1] TF
6	502268	GLASS, speedo' & tacho	2	
	AJH5177	GLASS, instrument cluster	3] TF
7	280-860	O' RING, speedo' & tacho. to dash	2	
8		O' RING, lens to speedo' & tacho	2] TA, TB, TC, TD
9	361-030	BRACKET	2	
		speedometer & tachometer] TA, TB, TC, TD to (c)10778
10	361-020	NUT, brass, bracket to speedo' & tacho	4	
11	360-500	AMMETER, -20-20+ (reproduction)	1] TA, TB, TC
	360-510	AMMETER, -30-30+ (reproduction)	1] TD from (c)10779
12	360-520	AMMETER	1	
13	360-490	GAUGE, oil pressure	1] TA, TB, TC, TD to (c)13913
	360-070	GAUGE, oil pressure/water temp	1	
14	360-250	GAUGE, oil pressure	1] TF
	360-100	GAUGE, water temperature	1	
15	360-160	GAUGE, water temperature	1] TF
	360-130	GAUGE, oil temperature	1	
	AHH5323	PIPE, oil pressure gauge to fitting	1] TB, TC, TD, TF
	AAA628	FITTING, oil pipe (on bulkhead)	1	
	361-050	ADAPTOR, water temperature	1] as required
		line to radiator, male/female		
	361-060	ADAPTOR, water temperature	1] as required
		line to radiator, male/female		
16	502269	GLASS, 2" gauge	a/r] TA, TB, TC, TD
17		O' RING, lens to 2" gauge	a/r	
	17H1642	O' RING, 2" gauge to dash	a/r] TA, TB (5" 8")
18	331-135	CABLE, speedometer, original	1	
		(push-on speedometer end)] TC, TD RHD (5" 8")
	331-140	CABLE, speedometer, original	1	
	331-150	CABLE, speedometer, original	1] TD LHD (6" 6")
20	331-140	CABLE, speedometer, original	1	
21	331-035	CABLE, tachometer, 4'	1] TA, TB
		(push-on both ends)		
	331-045**	CABLE, tachometer, 4'	1] TA, TB
		(push-on tacho end & screw-on dynamo end)		
	331-170	CABLE, tachometer, original	1] TC, TD, TF, RHD
] TD, TF, LHD
23	331-160	CABLE, tachometer, original	1	
		CABLE, trip reset, replacement	1] TF
24	361-070	BRACKET, dash lamp mounting	4	
] TA, TB, TC, TD to (c)10778
25	161-918	SOCKET & BULB, (TD uses 1)	1/6	
26	GLB987	BULB, dash, screw base	a/r] late TD, TF
27	070066	SOCKET, dash bulb, orig. gauge	6	
28	142-600	LAMP, fuel warning	1] TC
29	2H2838	LAMP, ignition warning, red	1	
30	142-210	LAMP, warning, green	1/2] TD (late TD uses 2)
31	3H1835	LAMP, warning, with 3 lenses	3	

** Note: The TC reduction gearbox (page 64 - item no. 17) can be fitted to TA's & TB's if a push-on tacho end & screw-on dynamo end tachometer cable is used.

Ill. No	Part Number	Description	Qty. Req.	Details
---------	-------------	-------------	-----------	---------

32	151-400	LENS, red	1] TF
	AJG5046	LENS, green	1	
	151-600	LENS, blue	1	
33	144-500	MAP LIGHT	1] TA, TB, TC
33a	PWT1484	COVER (30mph warning lamp)	1	
34	GLB207	BULB, map light	2	

Switches & Miscellaneous Trim

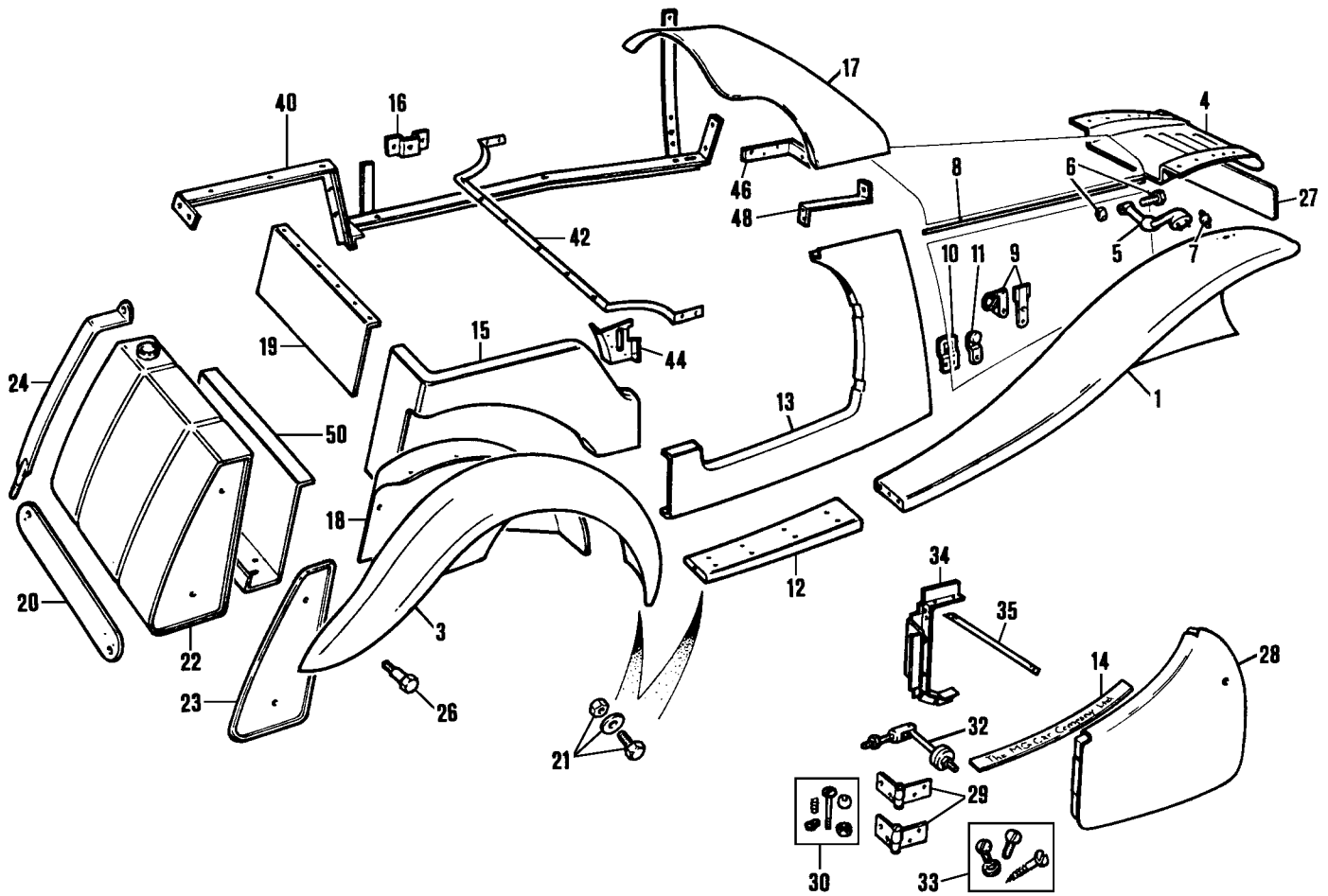
35	140-600*	SWITCH, turn signal	1] TC 1949 EXU models
36	GLB987*	BULB, turn signal switch	1	
		<i>*Note: Can be fitted to TA's & TB's.</i>		
37	AMK5607	SWITCH, turn signal, with handle	1] TD, TF
38	11K9308	HANDLE, turn signal switch	1	
39	235-887	BRACKET, signal switch mounting	1] TD
40	141-000	SWITCH, fog light, panel	1/2	
41	3H3098	SWITCH, light, panel & accessories	3] TF
42	150-908	DASH KNOB SET, lettered, original style	1	
43	145-900	SWITCH, panel light rheostat, with knob	1] TD from (c)10701
	145-907	KNOB, push-on type	1	
	145-905	KNOB, screw type	1] TD from (c)10701
	500513S	SCREW, (for part no. 145-905)	1	
44	141-510	SWITCH, ignition/headlamp	1] TA, TB, TC, TD
		(with 2 keys)		
45	141-010	SWITCH BODY, ignition	1] TF
46	24G1345	BARREL & KEYS	1	
48	140-700	SWITCH, horn/dip, reproduction	1] TA, TB, TC, TD to (c)18882
	140-808	BUTTON, horn push	1	
	233-950	CHROME WASHER SET	1] TA, TB, TC, TD
		(behind horn push)		
49	2H3383	BUTTON, horn push	1] TF
50	160-520	KNOB, wiper control	2	
51	NBEL147	SOCKET SET, accessory plug	1] TA, TB, TC, TD
	NBEL148	PLUG, optional accessory	1	
53	331-370	STARTER CABLE, original	1] TA, TB, TC
	331-380	CHOKE CABLE, original	1	
	MM331-390	SLOW RUNNING CABLE, original	1] TD
	331-280	STARTER CABLE, original	1	
	331-290	CHOKE CABLE, original	1] TF
	331-400	STARTER CABLE, original	1	
	331-410	CHOKE CABLE, original	1] TF
55	408-400	MEDALLION, dash	1	
56	454-100	BEAD SET, dash	1] TA, TB, TC
57	454-110	BEAD SET, dash and glove box	1	
58	323-838	SCREW & WASHER SET, dash	1] TA, TB, TC (8 of each)
59	323-848	SCREW & WASHER SET, dash	1	
60	321-478	BOLT & NUT SET, instrument panel	1] TA, TB, TC, TD (6 of each)
61	408-860	PANEL (Black), instrument cluster	1	
	408-865	PANEL (Bronze), instrument cluster	1] Late TC
62	408-870	PANEL, instrument cluster	1	
63	454-155	GLOVE BOX	1] TD
64	408-190	KNOB, glove box door	1	
65	406-910	HINGE, glove box door	2] TF
66	454-350	GLOVE BOX, LH	1	
67	454-360	GLOVE BOX, RH	1] TF
	456-105	TOP, glove box, LH	1	
	456-125	TOP, glove box, RH	1] TA, TB
	451-765**	UNDER DASH SHIELD KIT	1	
	451-785**	UNDER DASH SHIELD KIT	1] TC
	451-795**	UNDER DASH SHIELD KIT	1	
	451-800	UNDER DASH SHIELD	1] TF
	449-005	UNDER DASH SHIELD H-FRAME	1	
		<i>**Note: Kits include all brackets, hardware, vinyl covering, board and instructions.</i>		
68		SPRAY PAINT, instrument panel	a/r] see inside back cover
		(Custom formulated to duplicate original colours)		
70	408-215	BEZEL, ignition switch	1] TF
71	408-195	TRIM, cluster panel	1	
72	408-205	BEZEL, octagonal, for instruments	3] TF
73	280-595	COWL RUBBER (uncovered)	1	
74	408-895	CLUSTER PANEL	1] TA, TB, TC, TD
75	456-905	DASH PANEL, steel	1	
80	229-100	GRAB HANDLE, with MG motif	1] TF
81	229-220	GRAB HANDLE, curved	1	

Decals

Use these decals to replace, or restore, the original items that were originally painted & directly silk screened.

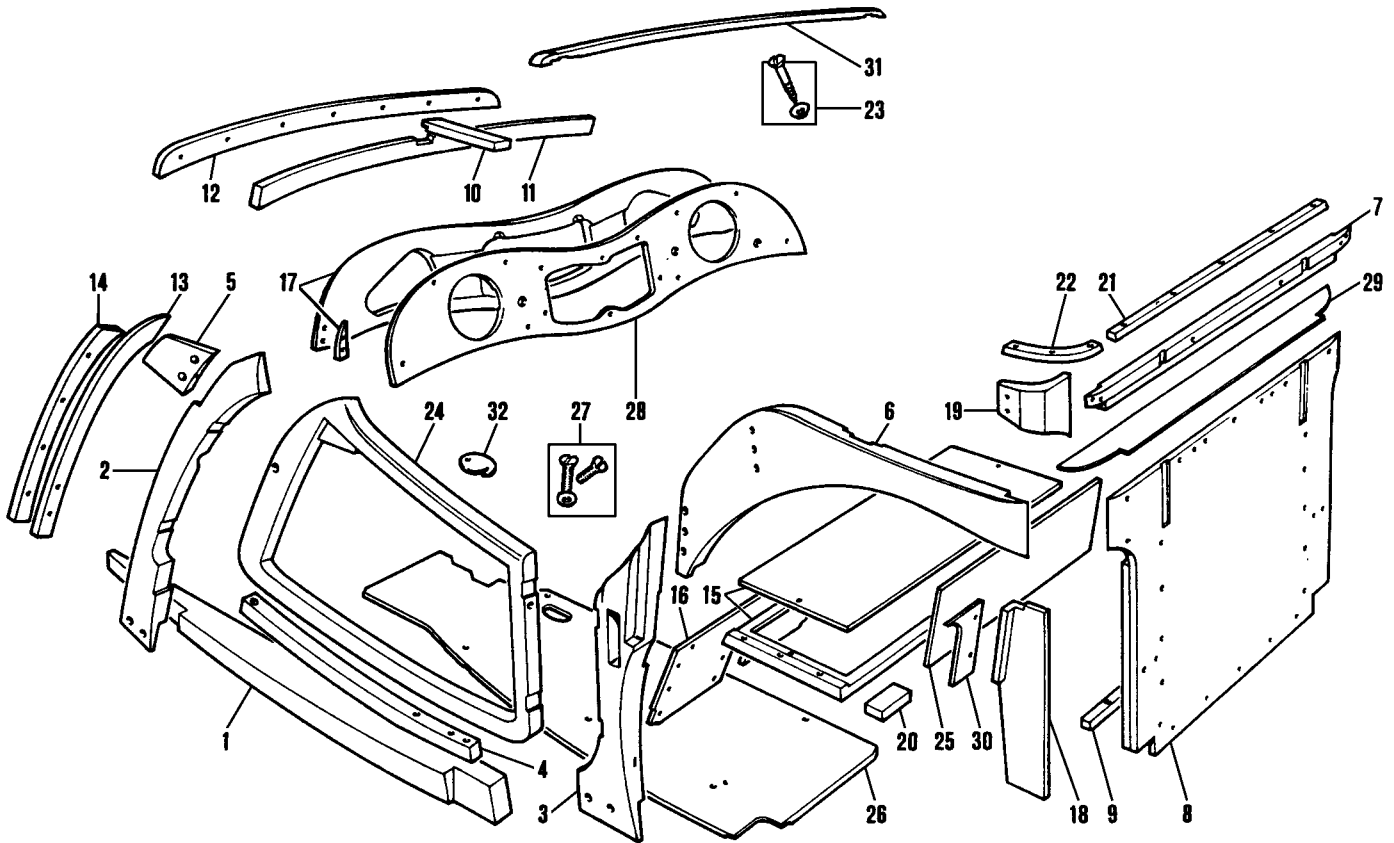
215-100	INSTRUMENT DECAL SET	1] TA, TB, TC
] TD to (c)10751

72 | TA & TB Body Panels



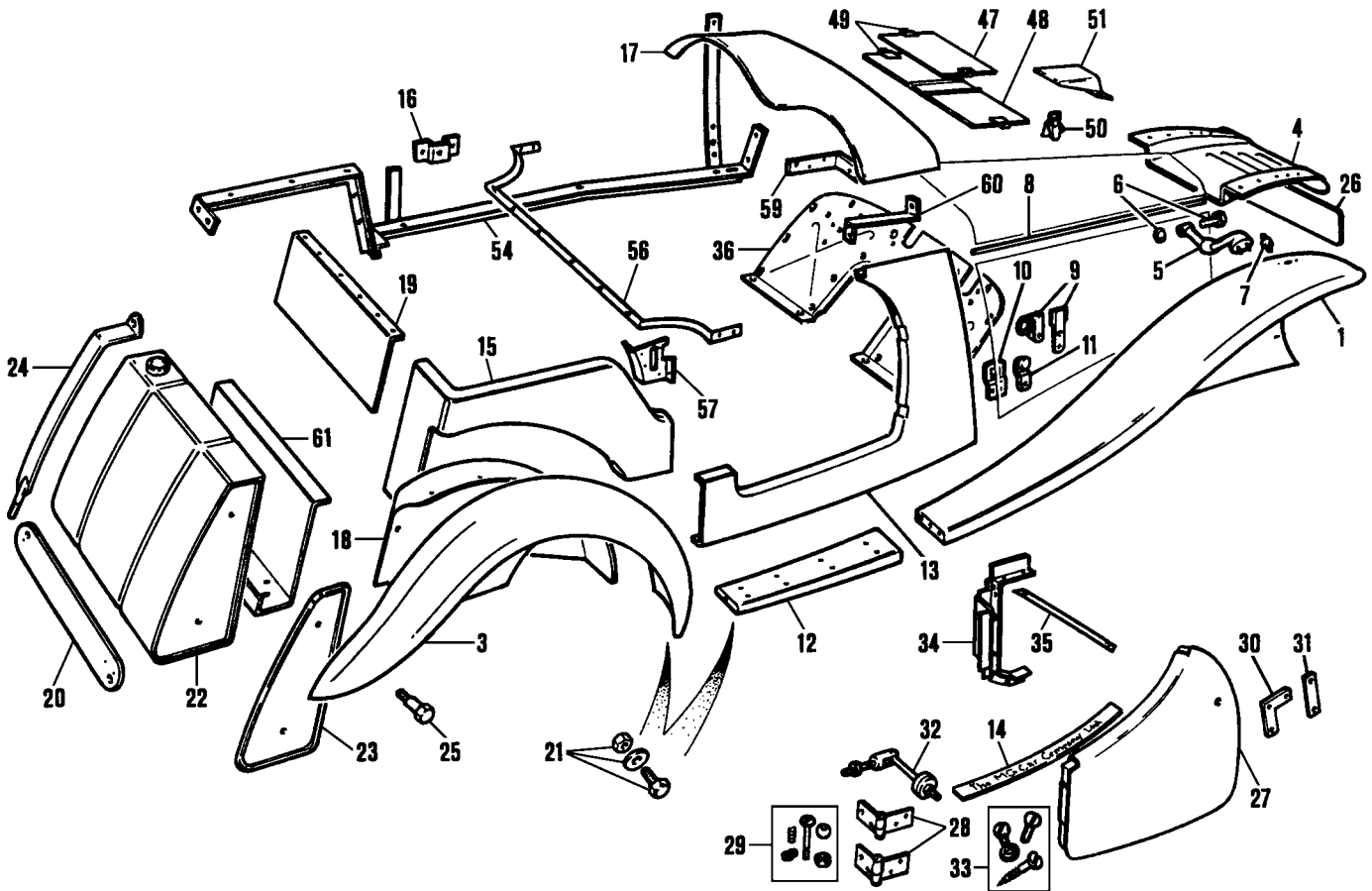
Ill. No	Part Number	Description	Qty. Req.	Details
Body Panels, TA, TB				
1	456-510	FRONT WING, RH	1	
	456-500	FRONT WING, LH	1	
NI	MM236-210	WING COVERS (Accessory)	1pr	
<i>These very practical black padded vinyl wing covers are specially tailored to fit your particular model. Protect that expensive finish from wayward spanners and greasy hands. Both left and right covers are supplied in the set.</i>				
3	450-000	REAR WING, RH	1	TA to (c)1090
	456-610	REAR WING, RH	1	TA from (c)1091, TB
	450-005	REAR WING, LH	1	TA to (c)1090
	456-600	REAR WING, LH	1	TA from (c)1091, TB
4	457-100	SPLASH APRON, front	1	
5	407-390	BRACKET, headlamp, RH	1	
	407-380	BRACKET, headlamp, LH	1	
6	321-288	BOLT & NUT SET, headlamp bracket	2	1 of each
7	328-175	STUD, headlamp bracket	4	
8	453-280	ROD, brass (side panel attaching)	2	
9	406-855	BONNET LATCH, RH	2	cadmium plated
	406-860	BONNET LATCH, LH	2	
10	406-810	BRACKET, bonnet latch (on wing)	4	
11	406-828	BUFFER PLATE SET, bonnet	1	4 buffers & plates
	280-205	BUFFER, bonnet, each	4	
12	450-010	RUNNING BOARD, RH	1	
	450-015	RUNNING BOARD, LH	1	
13	457-215	FRONT QUARTER PANEL, RH	1	
	457-225	FRONT QUARTER PANEL, LH	1	
14	451-398	THRESHOLD PLATE SET	1pr	
<i>(2 plates etched with 'The MG Car Company Ltd')</i>				
15	450-020	REAR QUARTER PANEL, RH	1	TA to (c)1090
	450-025	REAR QUARTER PANEL, RH	1	TA from (c)1091, TB
	450-030	REAR QUARTER PANEL, LH	1	TA to (c)1090
	450-035	REAR QUARTER PANEL, LH	1	TA from (c)1091, TB
16	450-040	BRACKET, rear side screen	2	
17	446-010	SCUTTLE TOP	1	
18	457-210	WHEEL ARCH, RH	1	
	457-200	WHEEL ARCH, LH	1	

Ill. No	Part Number	Description	Qty. Req.	Details
19	457-175	REAR PANEL	1	between rear quarter panels
20	450-045	BLANK PLATE, round lamps	1	TA to (c)1789
	451-725	BLANK PLATE, 'D' lamps	1	TA from (c)1790, TB
21	321-778	BOLT & NUT SET	1	wing & running boards to body
22	456-760	FUEL TANK	1	TA to (c)1090
	456-765	FUEL TANK	1	TA from (c)1091, TB
23	451-638	END PANEL SET, fuel tank	1	2 chrome end panels
24	451-600	STRAP, fuel tank, primed	2	
	450-055	STRAP, fuel tank, chromed	2	optional
26	320-840	BOLT, wing to fuel tank	2	
27	451-715	NUMBER PLATE, blank (front)	1	
28	446-015	DOOR ASSEMBLY, RH	1	Panelled
	446-020	DOOR ASSEMBLY, LH	1	
29	401-858	DOOR HINGE SET	1	4 hinges & mounting hardware
30	401-878	PIVOT BOLT SET, door hinge	1	complete set with balls
32	405-500	DOOR CHECK	2	
33	323-868	SCREW SET	1	for hinges, locks, strikers
34	450-060	STRENGTHENER, door hinge, RH	1	
	450-065	STRENGTHENER, door hinge, LH	1	
35	450-780	DOOR TWIST STRIP	2	
Body Tub Steelwork				
40	450-075	FRAME, Body/Chassis, LH	1	TA to (c)1090
	450-080	FRAME, Body/Chassis, LH	1	TA from (c)1091, TB
	450-085	FRAME, Body/Chassis, RH	1	TA to (c)1090
	450-090	FRAME, Body/Chassis, RH	1	TA from (c)1091, TB
42	450-095	STRENGTHENER, rear body	1	TA to (c)1090
	450-100	STRENGTHENER, rear body	1	TA from (c)1091, TB
44	450-105	BRACKET, rear door pillar, LH	1	
	450-110	BRACKET, rear door pillar, RH	1	
46	450-115	BRACKET, scuttle side, LH	1	
	450-120	BRACKET, scuttle side, RH	1	
48	450-125	BRACKET, scuttle top, LH	1	
	450-130	BRACKET, scuttle top, RH	1	
50	456-840	SIDE CURTAIN COMPARTMENT	1	front section only



Ill. No	Part Number	Description	Qty. Req.	Details
Body Tubs - TA to (c)1090				
	450-135	BODY TUB	1	} <i>panelled with doors & scuttle top</i>
	450-140	BODY TUB	1	
	450-145	BODY TUB	1	
	450-145	BODY TUB	1	<i>assembled but un-panelled</i>
Body Tubs - TA from (c)1091, TB				
	450-150	BODY TUB	1	} <i>panelled with doors and scuttle top</i>
	450-155	BODY TUB	1	
	450-160	BODY TUB	1	
	450-160	BODY TUB	1	<i>assembled but un-panelled</i>
Timber Components				
	449-550	TIMBER SET <i>(includes all timbers to build body frame)</i>	1	} <i>TA to (c)1090</i>
	449-555	TIMBER SET <i>(includes all timbers to build body frame)</i>	1	
1	450-165*	BOTTOM MAIN RAIL, LH	1	
	450-170*	BOTTOM MAIN RAIL, RH	1	
2	450-175*	FRONT BODY PILLAR, LH	1	
	450-180*	FRONT BODY PILLAR, RH	1	
3	450-185*	REAR BODY PILLAR, LH	1	
	450-190*	REAR BODY PILLAR, RH	1	
4	450-195*	UNDER DOOR RAIL, LH	1	
	450-200*	UNDER DOOR RAIL, RH	1	
5	450-560*	FRONT BODY PILLAR 'X Piece'	1	} <i>LH</i>
	450-565*	FRONT BODY PILLAR 'X Piece'	1	
6	450-215*	REAR WHEEL ARCH, LH	1	} <i>(2 piece)</i>
	450-220*	REAR WHEEL ARCH, RH	1	
7	450-225*	REAR TOP RAIL	1	
8	450-230*	REAR CENTRE PANEL	1	<i>TA to (c)1090</i>
	450-235*	REAR CENTRE PANEL	1	<i>TA from (c)1091, TB</i>
9	450-240*	REAR BOTTOM RAIL	1	
10	450-245*	CROSS PIECE, dash to bulkhead	1	
11	450-250*	FRONT TOP RAIL, inner	1	
12	450-255*	FRONT TOP RAIL, outer	1	
13	450-260*	FRONT SIDE RAIL, inner, LH	1	
	450-265*	FRONT SIDE RAIL, inner, RH	1	

Ill. No	Part Number	Description	Qty. Req.	Details
14	450-270*	FRONT SIDE RAIL, outer, LH	1	
	450-275*	FRONT SIDE RAIL, outer, RH	1	
15	450-280*	PANEL ASSEMBLY above rear axle	1	<i>TA to (c)1090</i>
	450-285*	PANEL ASSEMBLY above rear axle	1	<i>TA from (c)1091, TB</i>
16	450-290*	REAR PROPSHAFT COVER	1	<i>TA to (c)1090</i>
	450-635*	REAR PROPSHAFT COVER	1	<i>TA from (c)1091, TB</i>
17	450-300*	INNER DASHBOARD PANEL	1	
18	450-305*	SIDE of SIDESCREEN BOX, LH	1	
	450-310*	SIDE of SIDESCREEN BOX, RH	1	
19	450-315*	REAR ANGLED CORNER Piece, LH	1	<i>TA to (c)1090</i>
	450-320*	REAR ANGLED CORNER Piece, LH	1	<i>TA from (c)1091, TB</i>
	450-325*	REAR ANGLED CORNER Piece, RH	1	<i>TA to (c)1090</i>
	450-330*	REAR ANGLED CORNER Piece, RH	1	<i>TA from (c)1091, TB</i>
20	450-335*	REAR FILLET, LH	1	<i>TA to (c)1090</i>
	450-340*	REAR FILLET, LH	1	<i>TA from (c)1091, TB</i>
	450-345*	REAR FILLET, RH	1	<i>TA to (c)1090</i>
	450-350*	REAR FILLET, RH	1	<i>TA from (c)1091, TB</i>
<i>*Note: All items marked * are included in the relevant TA, TB Timber Set.</i>				
21	450-355	RAIL, rear top finisher	1	
22	450-360	RAIL, rear corner finisher, LH	1	
	450-365	RAIL, rear corner finisher, RH	1	
23	323-858	SCREW SET, hood tacking strips	1	
24	450-370	DOOR FRAME ASSEMBLY, LH	1	
	450-375	DOOR FRAME ASSEMBLY, RH	1	
25	450-380	SIDESCREEN BOX DOOR	1	
26	450-390	FLOORBOARD, LH	1	<i>TA to (c)1090</i>
	450-395	FLOORBOARD, LH	1	<i>TA from (c)1091, TB</i>
	450-400	FLOORBOARD, RH	1	<i>TA to (c)1090</i>
	450-405	FLOORBOARD, RH	1	<i>TA from (c)1091, TB</i>
27	323-818	SCREW & WASHER SET	1	<i>floorboards, complete alternatives</i>
28	456-885	DASHBOARD FASCIA, Finished Veneer	1	} <i>alternatives</i>
	456-895	DASHBOARD FASCIA, plain	1	
29	450-415	SIDESCREEN BOX TOP SHELF	1	<i>TA to (c)1090</i>
	450-420	SIDESCREEN BOX TOP SHELF	1	<i>TA from (c)1091, TB</i>
30	450-425	FINISHER PIECE, side screen box, LH	1	<i>TA to (c)1090</i>
	450-430	FINISHER PIECE, side screen box, LH	1	<i>TA from (c)1091, TB</i>
	450-435	FINISHER PIECE, side screen box, RH	1	<i>TA to (c)1090</i>
	450-440	FINISHER PIECE, side screen box, RH	1	<i>TA from (c)1091, TB</i>
31	453-230	TOP RAIL (WOOD), over windscreen	1	
32	407-800	COVER, master cylinder inspection	1	



Ill. No	Part Number	Description	Qty. Req.	Details
---------	-------------	-------------	-----------	---------

Body Panels, TC

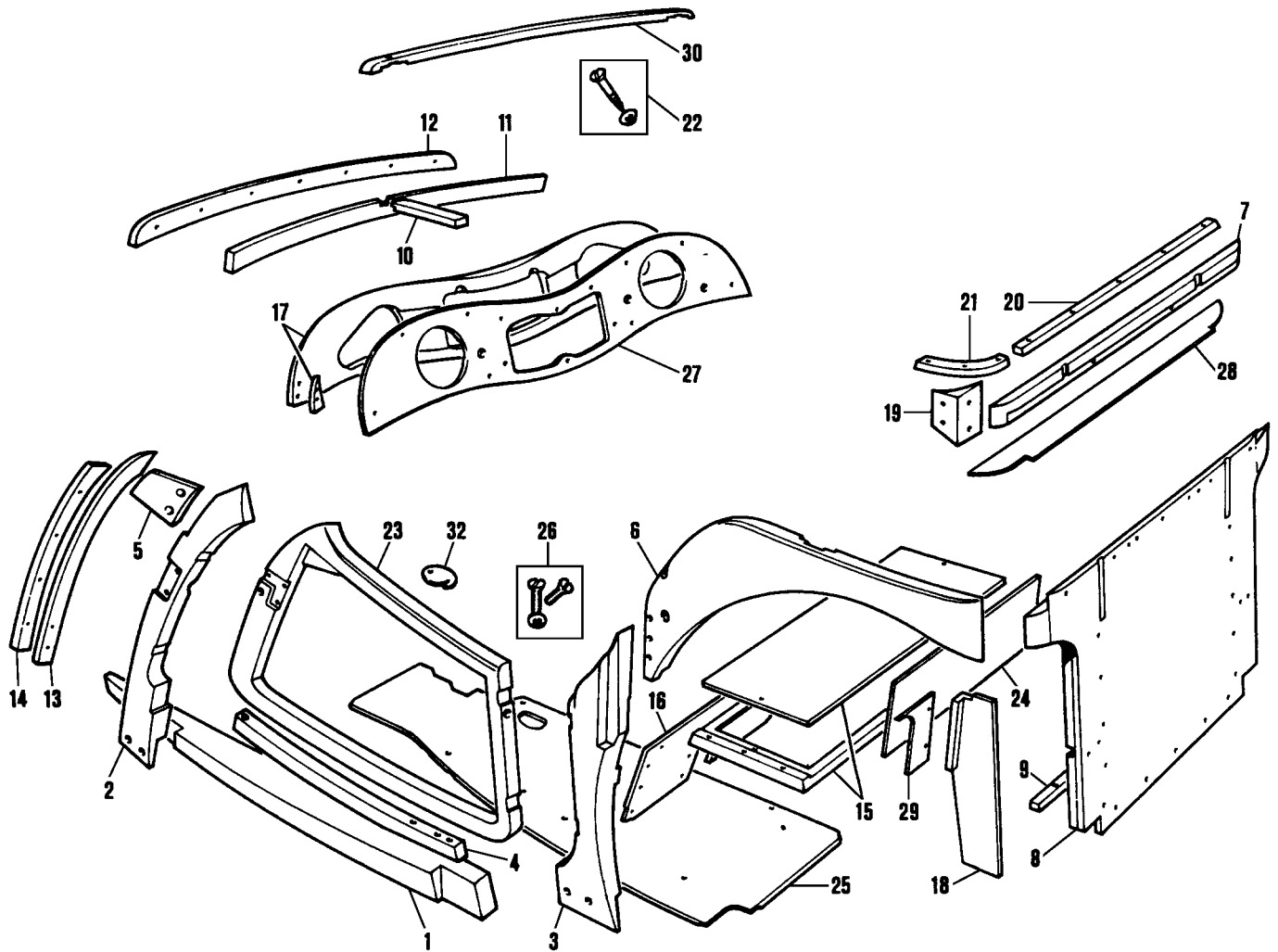
1	456-510	FRONT WING, RH	1	
	456-500	FRONT WING, LH	1	
NI	MM236-210	WING COVERS (Accessory)	1pr	
<p><i>These very practical black padded vinyl wing covers are specially tailored to fit your particular model. Protect that expensive finish from wayward spanners and greasy hands. Both left and right covers are supplied in the set.</i></p>				
3	456-610	REAR WING, RH	1	
	456-600	REAR WING, LH	1	
4	457-100	SPLASH APRON, front	1	
5	407-390	BRACKET, headlamp, RH	1	
	407-380	BRACKET, headlamp, LH	1	
6	321-288	BOLT & NUT SET, headlamp bracket	2	1 of each
7	328-175	STUD, headlamp bracket	4	
8	453-280	ROD, brass (side panel attaching)	2	
9	406-855	BONNET LATCH, RH	2	cadmium plated
	406-860	BONNET LATCH, LH	2	
10	406-810	BRACKET, bonnet latch, on wing	4	
11	406-828	BUFFER PLATE SET, bonnet	1	4 buffers & plates
	280-205	BUFFER, bonnet, each	4	
12	457-020	RUNNING BOARD, RH	1	
	457-010	RUNNING BOARD, LH	1	
13	457-310	FRONT QUARTER PANEL, RH	1	
	457-300	FRONT QUARTER PANEL, LH	1	
14	451-398	THRESHOLD PLATE SET	1pr	(2 plates etched with 'The MG Car Company Ltd')
15	457-410	REAR QUARTER PANEL, RH	1	
	457-400	REAR QUARTER PANEL, LH	1	
16	450-040	REAR SIDE SCREEN BRACKET	2	
17	451-840	SCUTTLE TOP	1	
18	457-210	WHEEL ARCH, RH	1	
	457-200	WHEEL ARCH, LH	1	
19	457-190	REAR PANEL	1	between rear quarter panels
20	451-725	BLANK PLATE, lamps & number plate	1	
21	321-778	BOLT & NUT SET	1	wing & running boards to body

Ill. No	Part Number	Description	Qty. Req.	Details
---------	-------------	-------------	-----------	---------

22	456-770	FUEL TANK	1	
23	451-638	END PANEL SET, fuel tank	1	2 chrome end panels
24	451-600	STRAP, fuel tank, primed	2	
	450-055	STRAP, fuel tank, chromed	2	optional
25	320-840	BOLT, wing to fuel tank	2	
26	451-715	NUMBER PLATE, blank (front)	1	standard on all TC's
27	446-025	DOOR ASSEMBLY, RH	1	Panelled
	446-030	DOOR ASSEMBLY, LH	1	
	456-835	DOOR SKIN, RH	1	
	456-825	DOOR SKIN, LH	1	
28	401-858	DOOR HINGE SET	1	4 hinges & mounting hardware
29	401-878	PIVOT BOLT SET, door hinge	1	complete set with balls
30	401-180	MOUNTING PLATE, door lock	2	
31	401-190	MOUNTING PLATE, door striker	2	
32	405-500	DOOR CHECK	2	
33	323-868	SCREW SET	1	for hinges, locks, strikers
34	450-445	STRENGTHENER, door hinge, RH	1	
	450-450	STRENGTHENER, door hinge, LH	1	
35	450-780	DOOR TWIST STRIP	2	
36	450-460	BULKHEAD FOOT PLATE	1	
47	454-160	LID, battery box	1	
48	451-680	LID, tool box	1	
49	401-695	CLIP, battery & tool box lids	4	
50	401-685	LATCH, battery & tool boxes	4	
51	407-120	COVER, control cable (Bulkhead)	1	

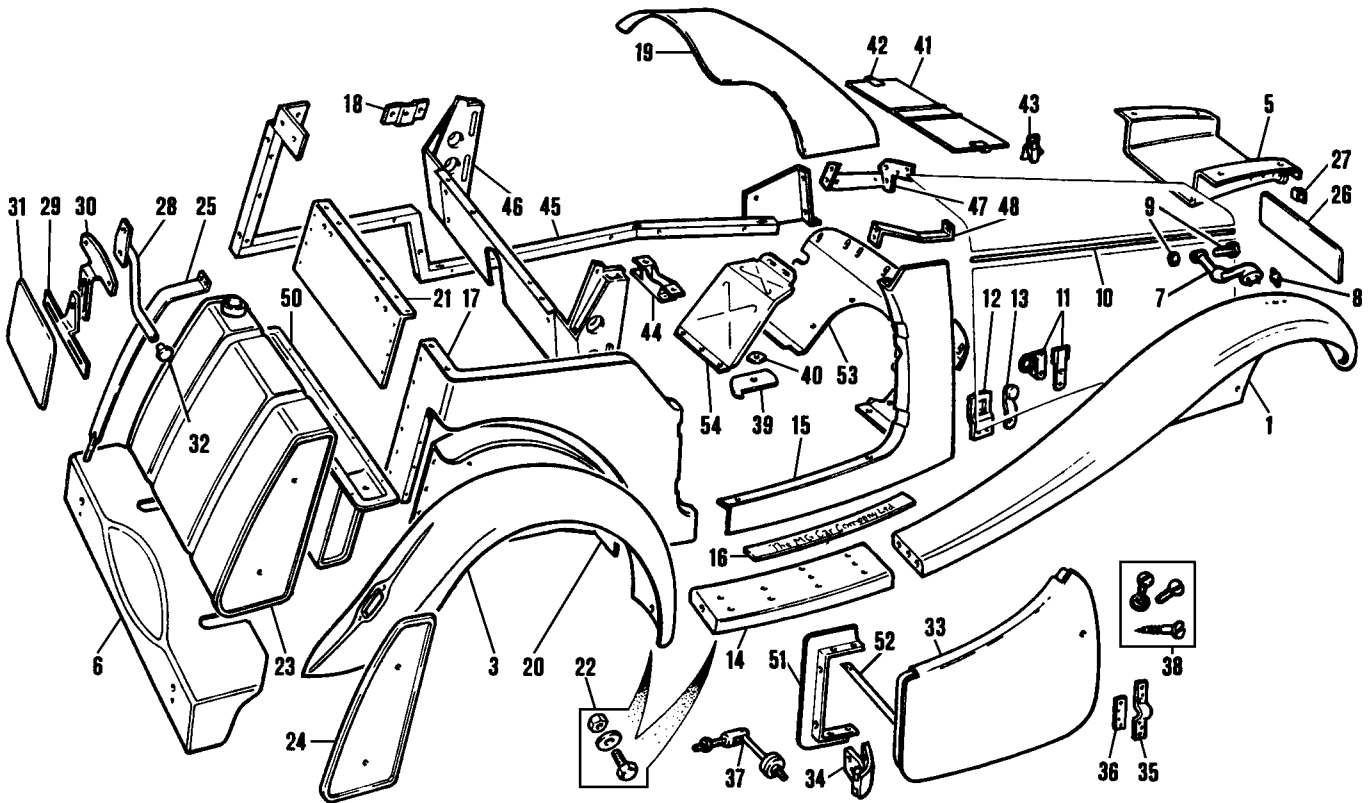
Body Tub Steelwork

54	450-465	FRAME, Body/Chassis, LH	1	
	450-470	FRAME, Body/Chassis, RH	1	
56	450-475	STRENGTHENER, rear body	1	
57	450-480	BRACKET, rear door pillar, LH	1	
	450-485	BRACKET, rear door pillar, RH	1	
59	450-490	BRACKET, scuttle side, LH	1	
	450-495	BRACKET, scuttle side, RH	1	
60	450-500	BRACKET, scuttle top, LH	1	
	450-505	BRACKET, scuttle top, RH	1	
61	456-840	SIDE CURTAIN COMPARTMENT	1	front section only



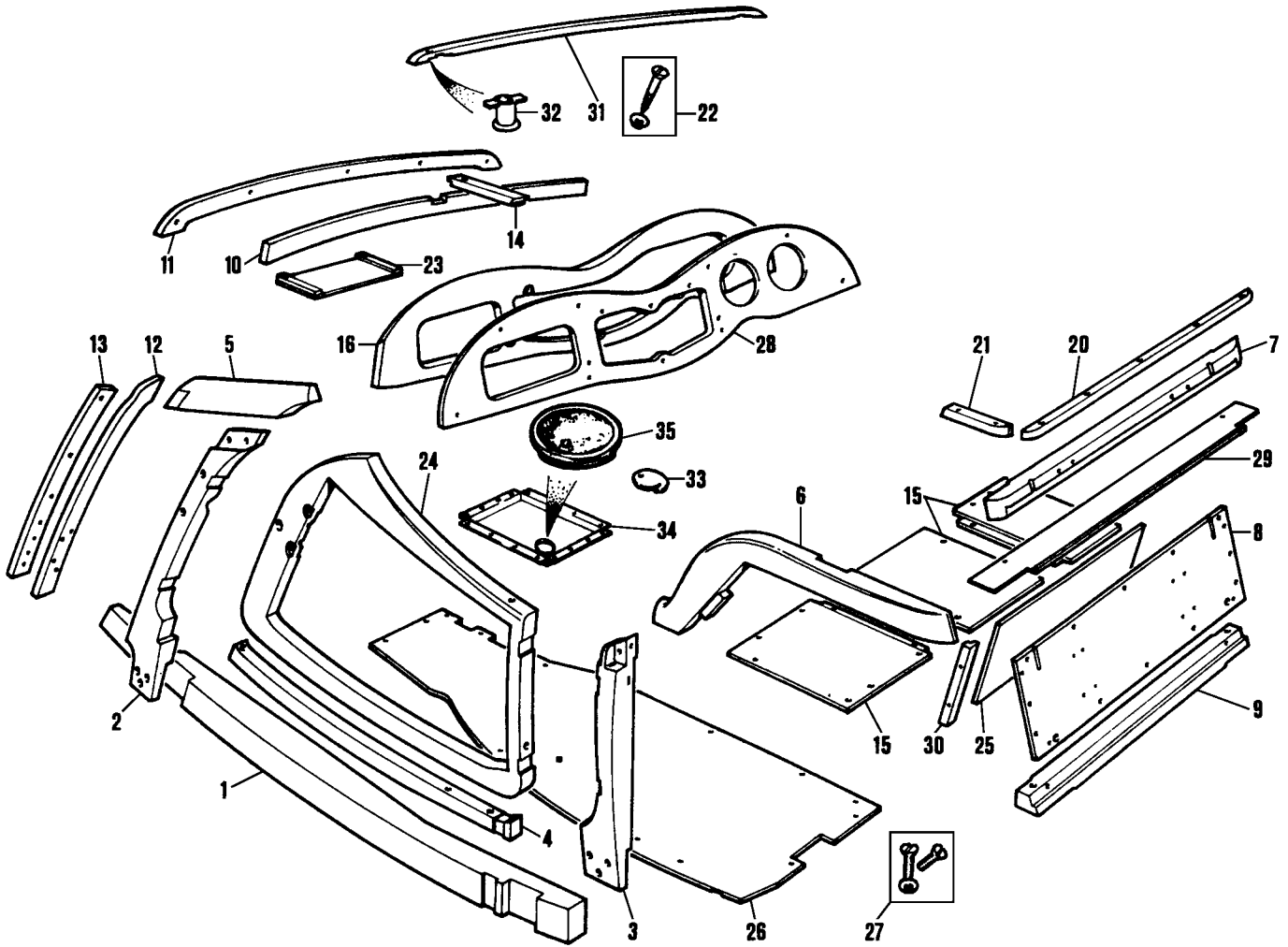
Ill. No	Part Number	Description	Qty. Req.	Details
Body Tub				
	459-500	BODY TUB	1	} <i>panelled with doors and scuttle top</i>
	450-510	BODY TUB	1	
	450-515	BODY TUB	1	
Timber Components				
	449-560	TIMBER SET <i>(includes all timbers to build body frame)</i>	1	
1	450-520*	BOTTOM MAIN RAIL, LH	1	
	450-525*	BOTTOM MAIN RAIL, RH	1	
2	450-530*	FRONT BODY PILLAR, LH	1	
	450-535*	FRONT BODY PILLAR, RH	1	
3	450-540*	REAR BODY PILLAR, LH	1	
	450-545*	REAR BODY PILLAR, RH	1	
4	450-550*	UNDER DOOR RAIL, LH	1	
	450-555*	UNDER DOOR RAIL, RH	1	
5	450-560*	FRONT BODY PILLAR 'X Piece'	1	LH
	450-565*	FRONT BODY PILLAR 'X Piece'	1	RH
6	450-570*	REAR WHEEL ARCH, LH	1	} <i>(2-piece)</i>
	450-575*	REAR WHEEL ARCH, RH	1	
7	450-580*	REAR TOP RAIL	1	
8	450-585*	REAR CENTRE PANEL	1	
9	450-590*	REAR BOTTOM RAIL	1	
10	450-595*	CROSSPIECE, dash to bulkhead	1	
11	450-600*	FRONT TOP RAIL, inner	1	
12	450-605*	FRONT TOP RAIL, outer	1	
13	450-610*	FRONT SIDE RAIL, inner, LH	1	

Ill. No	Part Number	Description	Qty. Req.	Details
	450-615*	FRONT SIDE RAIL, inner, RH	1	
14	450-620*	FRONT SIDE RAIL, outer, LH	1	
	450-625*	FRONT SIDE RAIL, outer, RH	1	
15	450-630*	PANEL ASSEMBLY, above rear axle	1	
16	450-635*	REAR PROPSHAFT COVER	1	
17	450-640*	INNER DASHBOARD PANEL	1	
18	450-645*	SIDE OF SIDE SCREEN BOX, LH	1	
	450-650*	SIDE OF SIDE SCREEN BOX, RH	1	
19	450-655*	REAR ANGLED CORNER Piece, LH	1	
	450-660*	REAR ANGLED CORNER Piece, RH	1	
<i>*Note: All items marked * are included in the TC Timber Set.</i>				
20	450-665	RAIL, rear top finisher	1	
21	450-670	RAIL, rear corner finisher, LH	1	
	450-675	RAIL, rear corner finisher, RH	1	
22	323-858	SCREW SET, hood tacking strips	1	
23	450-680	DOOR FRAME ASSEMBLY, LH	1	
	450-685	DOOR FRAME ASSEMBLY, RH	1	
24	450-690	SIDESCREEN BOX DOOR	1	
25	450-695	FLOORBOARD, LH	1	
	450-700	FLOORBOARD, RH	1	
26	323-818	SCREW & WASHER SET	1	} <i>floorboards, complete alternatives</i>
27	233-635	DASHBOARD FASCIA, Finished Veneer	1	
	456-890	DASHBOARD FASCIA, plain	1	
28	450-705	SIDESCREEN BOX TOP SHELF	1	
29	450-710	FINISHER PIECE, side screen box, LH	1	
	450-715	FINISHER PIECE, side screen box, RH	1	
30	453-230	TOP RAIL (WOOD), over windscreen	1	
32	407-800	COVER, master cylinder inspection	1	



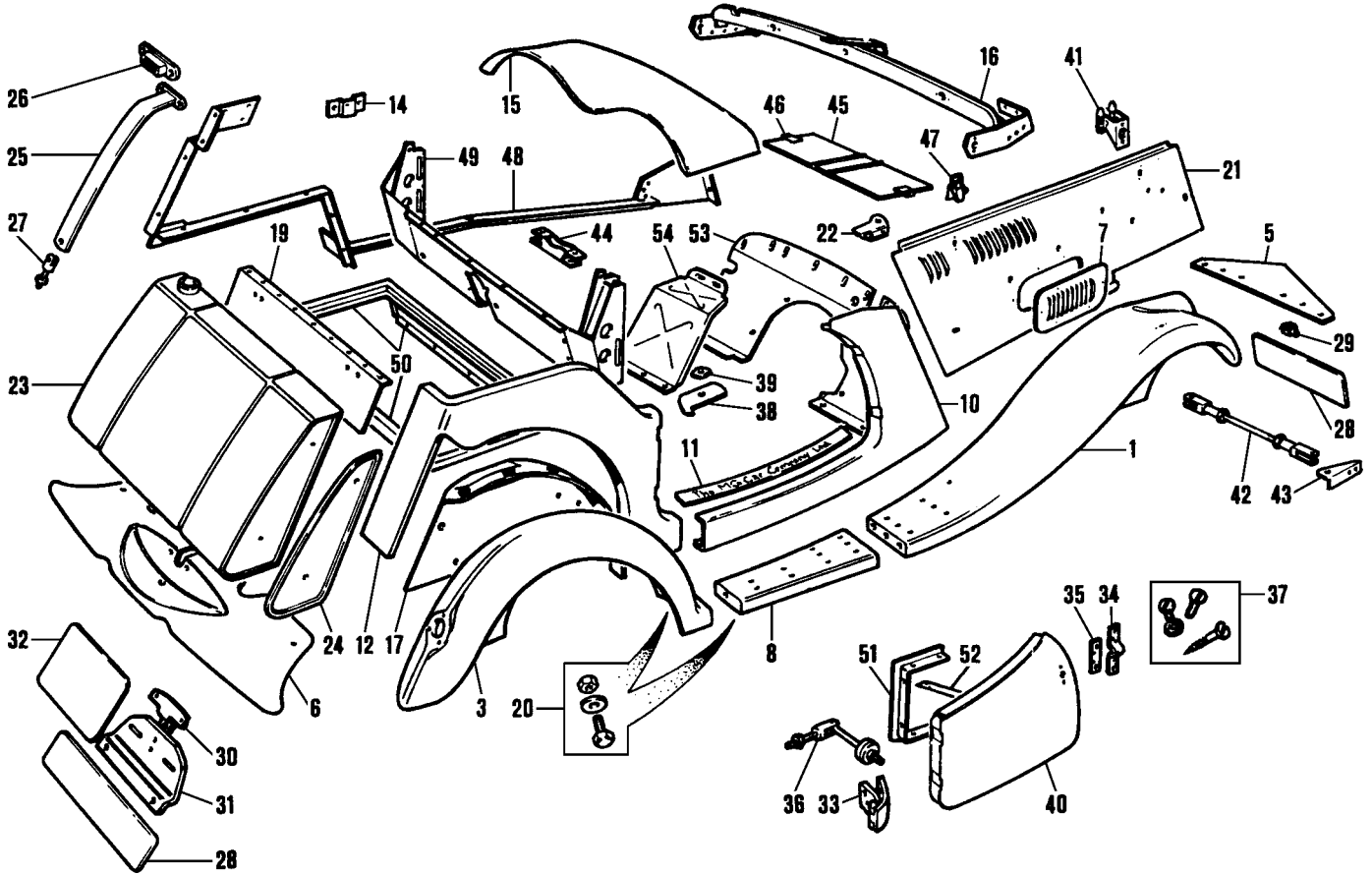
Ill. No	Part Number	Description	Qty. Req.	Details
Body Panels, TD				
1	456-550	FRONT WING, RH	1	Girling shock absorbers
	456-530	FRONT WING, RH	1	Armstrong shock absorbers
	456-540	FRONT WING, LH	1	Girling shock absorbers
	456-560	FRONT WING, LH	1	Armstrong shock absorbers
NI	MM236-220	WING COVERS (Accessory)	1pr	
<i>These very practical black padded vinyl wing covers are specially tailored to fit your particular model. Protect that expensive finish from wayward spanners and greasy hands. Both left and right covers are supplied in the set.</i>				
3	456-630	REAR WING, RH	1	rect. tail lamp to (c)21302
	456-650	REAR WING, RH	1	round tail lamp from (c)21303
	456-620	REAR WING, LH	1	rect. tail lamp to (c)21302
	456-640	REAR WING, LH	1	round tail lamp from (c)21303
5	457-110	SPLASH APRON, front	1	
6	457-070	SPLASH APRON, rear	1	
7	407-420	BRACKET, headlamp, RH	1	
	407-410	BRACKET, headlamp, LH	1	
8	328-185	STUD, headlamp bracket	4	
9	321-288	BOLT & NUT SET, headlamp bracket	2	1 of each
10	453-280	ROD, brass (side panel attaching)	2	
11	406-855	BONNET LATCH, RH	2	cadmium plated
	406-860	BONNET LATCH, LH	2	
12	406-800	BRACKET, bonnet latch, on wing	4	
13	406-828	BUFFER PLATE SET, bonnet	1	4 buffers & plates
	280-205	BUFFER RUBBER, bonnet, each	4	
14	457-040	RUNNING BOARD, RH	1	
	457-030	RUNNING BOARD, LH	1	
15	457-330	FRONT QUARTER PANEL, RH	1	
	457-320	FRONT QUARTER PANEL, LH	1	
16	451-398	THRESHOLD PLATE SET	1pr	
<i>(2 plates etched with 'The MG Car Company Ltd')</i>				
17	457-080	REAR QUARTER PANEL, RH	1	
	457-090	REAR QUARTER PANEL, LH	1	
18	450-720	BRACKET, rear side screen, RH	1	
	450-725	BRACKET, rear side screen, LH	1	
19	451-850	SCUTTLE TOP	1	
20	456-820	WHEEL ARCH, RH	1	
	456-830	WHEEL ARCH, LH	1	
21	457-130	REAR PANEL	1	between rear quarter panels
22	321-758	BOLT & NUT SET	1	wing & running boards to body
23	456-785	FUEL TANK	1	
24	451-648	END PANEL SET, fuel tank	1	2 chrome end panels

Ill. No	Part Number	Description	Qty. Req.	Details
25	451-610	STRAP, fuel tank, primed	2	
	450-730	STRAP, fuel tank, chromed	2	optional
26	451-720	BACKING PLATE, front number plate	1	
27	406-490	BRACKET, (for above plate)	2	
28	406-500	'S' BRACKET, rear number plate	1	LHD, on spare wheel carrier
	406-520	'S' BRACKET, rear number plate	1	RHD, on spare wheel carrier
29	406-510	BRACKET, number plate support	1	
30	406-600	'T' BRACKET	1	number plate lamp support
31	451-275	BACKING PLATE	1	rear number plate
32	406-400	PLUG, tyre rack, tube end	1	
33	446-035	DOOR ASSEMBLY, RH	1	Panelled
	446-040	DOOR ASSEMBLY, LH	1	
	456-855	DOOR SKIN, RH	1	
	456-845	DOOR SKIN, LH	1	
34	401-970	DOOR HINGE, RH top	1	brass
	401-960	DOOR HINGE, LH top	1	
	401-990	DOOR HINGE, RH bottom	1	
	401-980	DOOR HINGE, LH bottom	1	
35	401-420	MOUNTING PLATE, door striker	2	
36	401-430	MOUNTING PLATE, door lock	2	
37	405-500	DOOR CHECK	2	
38	323-878	SCREW SET	1	for hinges, locks, strikers
39	407-810	COVER, transmission dipstick	1	
40	407-425	WING NUT, dipstick cover	1	
41	451-680	LID, tool box	1	
42	401-695	CLIP, tool box lid	2	
43	401-685	LATCH, tool box	2	
44	411-020	BRACKET, gearbox mounting	1	
Body Tub Steelwork				
45	450-735	FRAME, Body/Chassis, LH	1	
	450-740	FRAME, Body/Chassis, RH	1	
46	450-745	REAR BODY TIE BAR	1	
47	450-750	BRACKET, scuttle side, LH	1	
	450-755	BRACKET, scuttle side, RH	1	
48	450-765	BRACKET, scuttle top, RH	1	
	450-760	BRACKET, scuttle top, LH	1	
50	456-850	SIDESCREEN COMPARTMENT	1	
51	449-040	STRENGTHENER, door, LH	1	
	449-045	STRENGTHENER, door, RH	1	
52	450-780	DOOR TWIST STRIP	2	
53	450-785	BULKHEAD FOOT PLATE	1	RHD
54	456-860	FOOT REST, on passenger floor	1	



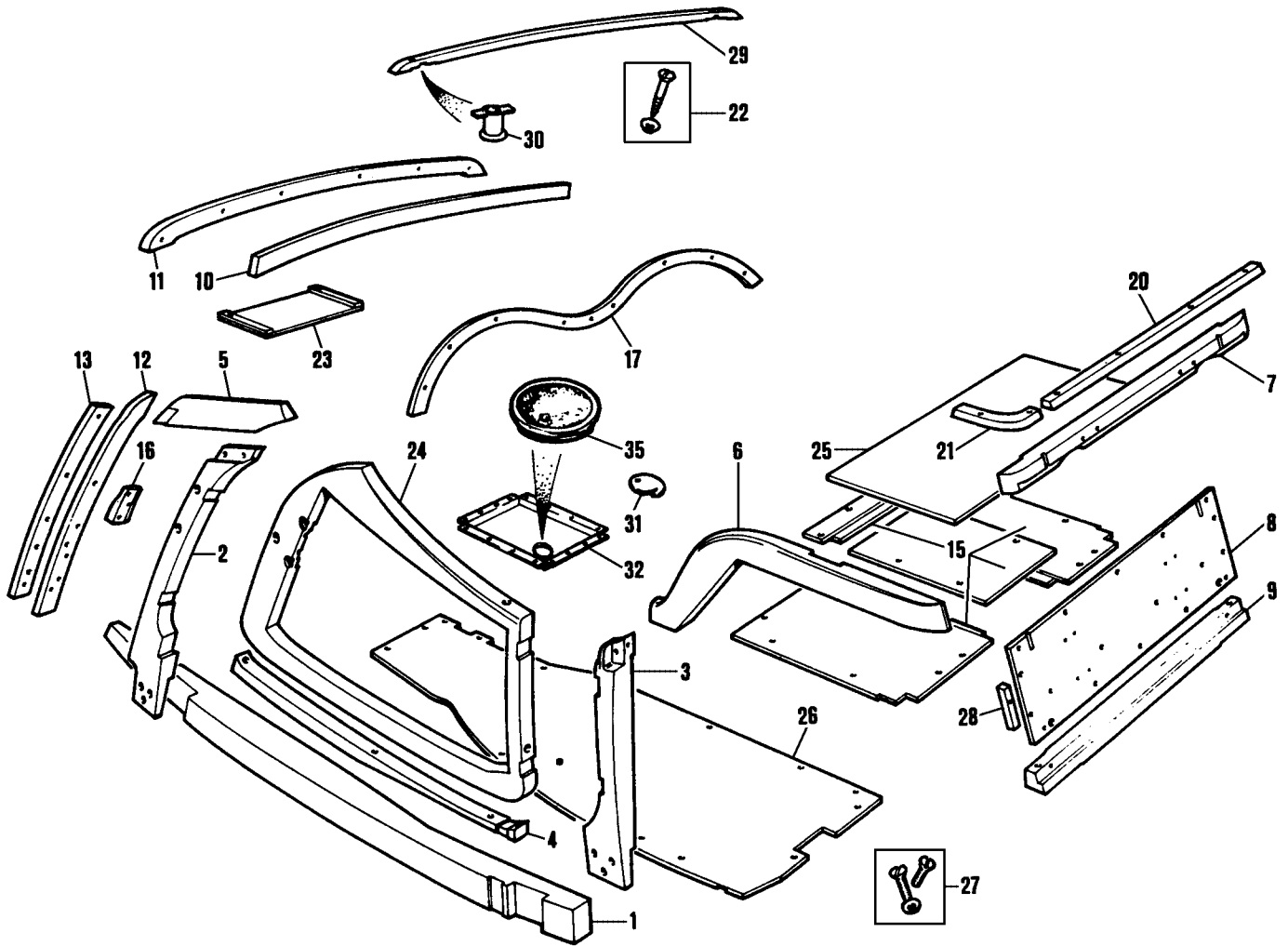
Ill. No	Part Number	Description	Qty. Req.	Details
Body Tub				
	450-790	BODY TUB, RHD	1	} <i>panelled with doors and scuttle top</i>
	450-795	BODY TUB, RHD	1	
	450-800	BODY TUB, RHD	1	
Note: All The body tubs listed here are for RHD models. LHD body tubs are also available, please enquire.				
Timber Components				
	450-805	TIMBER SET <i>(includes all timbers to build body frame)</i>	1	
1	450-810*	BOTTOM MAIN RAIL, LH	1	
	450-815*	BOTTOM MAIN RAIL, RH	1	
2	450-820*	FRONT BODY PILLAR, LH	1	
	450-825*	FRONT BODY PILLAR, RH	1	
3	450-830*	REAR BODY PILLAR, LH	1	
	450-835*	REAR BODY PILLAR, RH	1	
4	450-840*	UNDER DOOR RAIL, LH	1	
	450-845*	UNDER DOOR RAIL, RH	1	
5	450-850*	FRONT BODY PILLAR 'X Piece'	1	LH
	450-855*	FRONT BODY PILLAR 'X Piece'	1	RH
6	450-860*	REAR WHEEL ARCH, LH	1	} (2-piece)
	450-865*	REAR WHEEL ARCH, RH	1	
7	450-870*	REAR TOP RAIL	1	
8	450-875*	REAR CENTRE PANEL	1	
9	450-880*	REAR BOTTOM RAIL	1	
10	450-885*	FRONT TOP RAIL, inner	1	
11	450-890*	FRONT TOP RAIL, outer	1	
12	450-895*	FRONT SIDE RAIL, inner, LH	1	
	450-900*	FRONT SIDE RAIL, inner, RH	1	

Ill. No	Part Number	Description	Qty. Req.	Details
13	450-905*	FRONT SIDE RAIL, outer, LH	1	
	450-910*	FRONT SIDE RAIL, outer, RH	1	
14	450-915*	CROSSPIECE, dash to bulkhead	1	
15	450-920*	PANEL ASSEMBLY	1	above rear axle, (set of 3)
16	233-580*	INNER DASHBOARD PANEL, RHD	1	
	450-925	INNER DASHBOARD PANEL, LHD	1	
*Note: All items marked * are included in the TD Timber Set.				
20	450-930	RAIL, rear top finisher	1	
21	450-935	RAIL, rear corner finisher, LH	1	
	450-940	RAIL, rear corner finisher, RH	1	
22	323-858	SCREW SET, top finisher rails	1	13 screws & washers
23	407-710	BATTERY TRAY	1	
24	450-945	DOOR FRAME ASSEMBLY, LH	1	
	450-950	DOOR FRAME ASSEMBLY, RH	1	
25	450-955	SIDESCREEN BOX DOOR	1	
26	450-960	FLOORBOARD, LH	1	} RHD
	450-965	FLOORBOARD, RH	1	
	450-970	FLOORBOARD, LH (no footwell)	1	} LHD
	450-975	FLOORBOARD, RH	1	
27	323-828	SCREW & WASHER SET	1	floorboards, complete
28	233-530	DASHBOARD, finished walnut veneer	1	} RHD
	233-570	DASHBOARD, plywood	1	
	233-645	DASHBOARD, finished walnut veneer	1	} LHD
	233-510	DASHBOARD, plywood	1	
29	450-985	SIDESCREEN BOX TOP SHELF	1	
30	450-990	FINISHER PIECE, side screen box, LH	1	
	450-995	FINISHER PIECE, side screen box, RH	1	
31	453-240	TOP RAIL (WOOD), over windscreen	1	
32	AFH2635	SOCKET, (Brass) top rail	2	
33	407-800	COVER, master cylinder inspection	1	LHD to (c)4236; all RHD
34	456-870	FOOTWELL, (Metal)	1	LHD from (c)4237
35	ACA5300	PLUG, master cylinder inspection	1	LHD



ill. No	Part Number	Description	Qty. Req.	Details
Body Panels, TF				
1	456-490	FRONT WING, RH	1	
	456-480	FRONT WING, LH	1	
NI	MM236-230	WING COVERS (Accessory)	1pr	
<i>These very practical black padded vinyl wing covers are specially tailored to fit your particular model. Protect that expensive finish from wayward spanners and greasy hands. Both left and right covers are supplied in the set.</i>				
3	456-670	REAR WING, RH	1	
	456-660	REAR WING, LH	1	
5	451-090	SPLASH APRON, front	1	
6	456-520	SPLASH APRON, rear	1	
7	451-740	LOUVRE PANEL, bonnet side	2	
8	457-060	RUNNING BOARD, RH	1	
	457-050	RUNNING BOARD, LH	1	
10	456-570	FRONT QUARTER PANEL, RH	1	
	456-580	FRONT QUARTER PANEL, LH	1	
11	451-398	THRESHOLD PLATE SET	1pr	
<i>(2 plates etched with 'The MG Car Company Ltd')</i>				
12	456-680	REAR QUARTER PANEL, RH	1	
	456-690	REAR QUARTER PANEL, LH	1	
14	450-720	BRACKET, rear side screen, RH	1	
	450-725	BRACKET, rear side screen, LH	1	
15	451-860	SCUTTLE TOP	1	
16	456-865	SCUTTLE FRAME	1	
17	457-220	WHEEL ARCH, RH	1	
	457-230	WHEEL ARCH, LH	1	
19	457-140	REAR PANEL	1	<i>between rear quarter panels</i>
20	321-768	BOLT & NUT SET	1	<i>wing & running boardst o body</i>
21	457-915	SIDE PANEL, LH bonnet	1	
	457-925	SIDE PANEL, RH bonnet	1	
22	406-935	CORNER BRACKET, LH	1	<i>bonnet to bulkhead</i>
	406-945	CORNER BRACKET, RH	1	
23	456-795	FUEL TANK	1	
24	451-658	END PANEL SET, fuel tank	1	<i>2 chrome end panels</i>
25	451-620	STRAP, fuel tank, primed	2	
	449-000	STRAP, fuel tank, chromed	2	<i>optional</i>
26	407-110	TOP BRACKET	2	<i>fuel tank strap, chromed</i>
27	449-005	BOTTOM BRACKET, fuel tank strap	2	

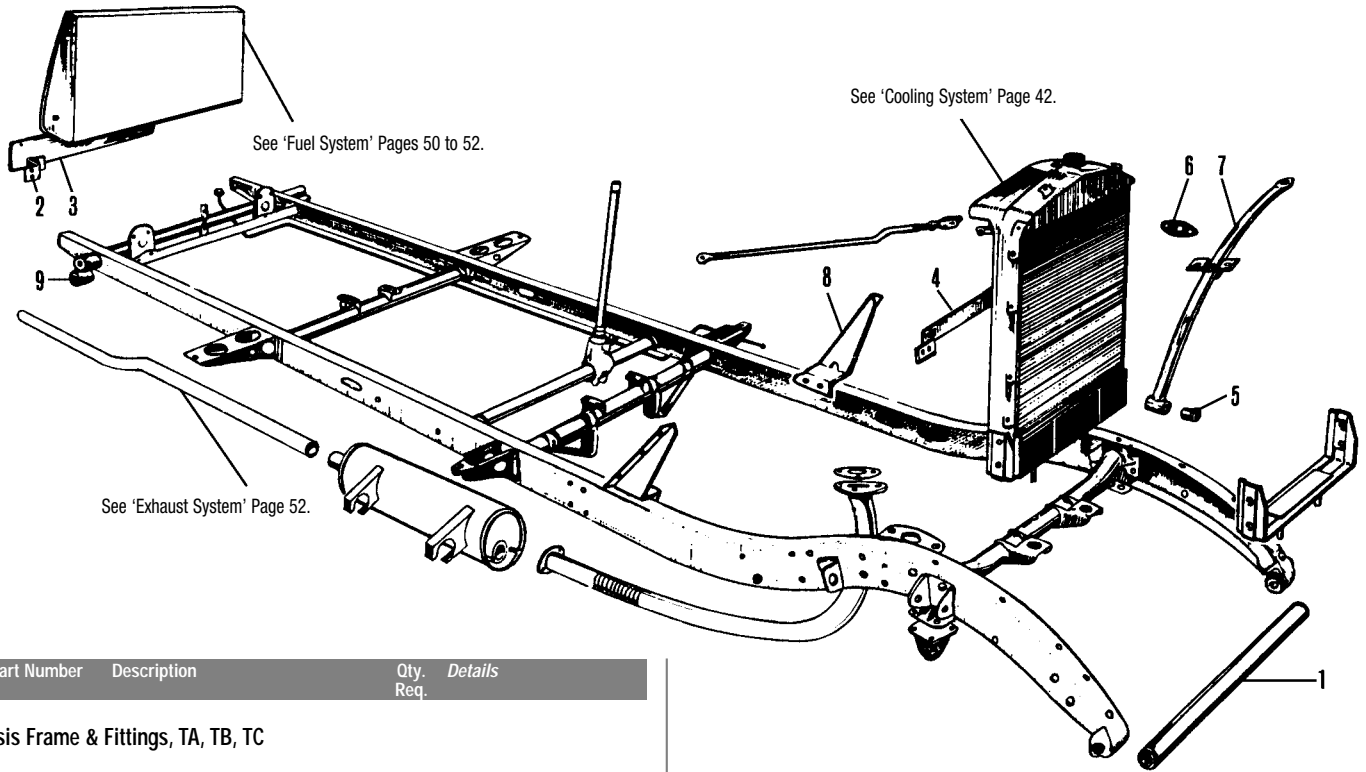
ill. No	Part Number	Description	Qty. Req.	Details
28	ALK3268	BLANK NUMBER PLATE, front & rear	2	<i>UK Models</i>
29	406-490	BRACKET, for above plate	2	
30	AAA2179	'T' BRACKET, number lamp support	1	
31	AHH5151	BRACKET, number plate assembly	1	
32	AHH5211	BACKING PLATE, number plate, rear	1	<i>USA models</i>
33	401-970	DOOR HINGE, RH top	1	<i>brass</i>
	401-960	DOOR HINGE, LH top	1	
	401-990	DOOR HINGE, RH bottom	1	
	401-980	DOOR HINGE, LH bottom	1	
34	401-420	MOUNTING PLATE, door striker	2	
35	401-430	MOUNTING PLATE, door lock	2	
36	405-500	DOOR CHECK	2	
37	323-878	SCREW SET	1	<i>for hinges, locks, strikers</i>
38	407-810	COVER, transmission dipstick	1	
39	407-425	WING NUT, dipstick cover	1	
40	446-045	DOOR ASSEMBLY, RH	1	<i>Panelled</i>
	446-050	DOOR ASSEMBLY, LH	1	
	449-010	DOOR SKIN, LH	1	
	449-015	DOOR SKIN, RH	1	
41	457-895	BONNET LATCH, RH	2	
	457-905	BONNET LATCH, LH	2	
42	451-825	TIE BAR, front wing	1	
43	451-885	BRACKET, tie bar, RH	1	
	451-880	BRACKET, tie bar, LH	1	
44	411-020	BRACKET, gearbox mounting	1	
45	451-680	LID, tool box	1	
46	401-695	CLIP, tool box lid	2	
47	401-685	LATCH, tool box	2	
Body Tub Steelwork				
48	449-020	FRAME, Body/Chassis, LH	1	
	449-025	FRAME, Body/Chassis, RH	1	
49	449-030	REAR BODY TIE BAR	1	
50	449-035	SIDE SCREEN COMPARTMENT	1	<i>4 piece</i>
51	449-045	STRENGTHENER, door, RH	1	
	449-040	STRENGTHENER, door, LH	1	
52	450-780	DOOR TWIST STRIP	2	
53	450-785	BULKHEAD FOOT PLATE	1	<i>RHD</i>
54	456-860	FOOT REST, on passenger floor	1	



Ill. No	Part Number	Description	Qty. Req.	Details
Body Tub				
	459-520	BODY TUB, RHD	1	} <i>panelled with doors & scuttle top</i>
	449-050	BODY TUB, RHD	1	
	449-055	BODY TUB, RHD	1	
Timber Components				
	449-565	TIMBER SET <i>(includes all timbers to build body frame)</i>	1	
1	449-060*	BOTTOM MAIN RAIL, LH	1	
	449-065*	BOTTOM MAIN RAIL, RH	1	
2	449-070*	FRONT BODY PILLAR, LH	1	
	449-075*	FRONT BODY PILLAR, RH	1	
3	449-080*	REAR BODY PILLAR, LH	1	
	449-085*	REAR BODY PILLAR, RH	1	
4	449-090*	UNDER DOOR RAIL, LH	1	
	449-095*	UNDER DOOR RAIL, RH	1	
5	449-100*	FRONT BODY PILLAR 'X Piece'	1	LH
	449-105*	FRONT BODY PILLAR 'X Piece'	1	RH
6	449-110*	REAR WHEEL ARCH, LH	1	
	449-115*	REAR WHEEL ARCH, RH	1	
7	449-120*	REAR TOP RAIL	1	
8	449-125*	REAR CENTRE PANEL	1	
9	449-130*	REAR BOTTOM RAIL	1	
10	449-135*	FRONT TOP RAIL, inner	1	
11	449-140*	FRONT TOP RAIL, outer	1	
12	449-145*	FRONT SIDE RAIL, inner, LH	1	
	449-150*	FRONT SIDE RAIL, inner, RH	1	
13	449-155*	FRONT SIDE RAIL, outer, LH	1	
	449-160*	FRONT SIDE RAIL, outer, RH	1	
15	449-165*	PANEL ASSEMBLY	1	<i>above rear axle</i>

Ill. No	Part Number	Description	Qty. Req.	Details
16	449-170*	WEDGE, chassis frame to body	1	LH
	449-175*	WEDGE, chassis frame to body	1	RH
<i>*Note: All items marked* are included in the TF Timber Set.</i>				
17	449-180	RAIL, dashboard finisher	1	
20	449-185	RAIL, rear top finisher	1	
21	449-190	RAIL, rear corner finisher	1	LH
	449-195	RAIL, rear corner finisher	1	RH
22	323-858	SCREW SET, top finisher rail	1	13 screws & washers
23	407-710	BATTERY TRAY	1	
24	449-200	DOOR FRAME ASSEMBLY, LH	1	
	449-205	DOOR FRAME ASSEMBLY, RH	1	
25	449-210	SIDESCREEN BOX DOOR	1	
26	449-215	FLOORBOARD, LH	1	} RHD
	449-220	FLOORBOARD, RH	1	
	449-225	FLOORBOARD, LH (no foot well)	1	} LHD
	449-230	FLOORBOARD, RH	1	
27	323-828	SCREW & WASHER SET	1	<i>floorboards, complete</i>
28	449-235	WEDGE, rear body panel trim	2	
29	453-240	TOP RAIL (WOOD), over windscreen	1	
30	406-920	SOCKET, (Brass) top rail	2	
31	407-800	COVER, master cylinder inspection	1	RHD
32	456-870	FOOTWELL, (Metal)	1	} LHD
35	ACA5300	PLUG, master cylinder inspection	1	

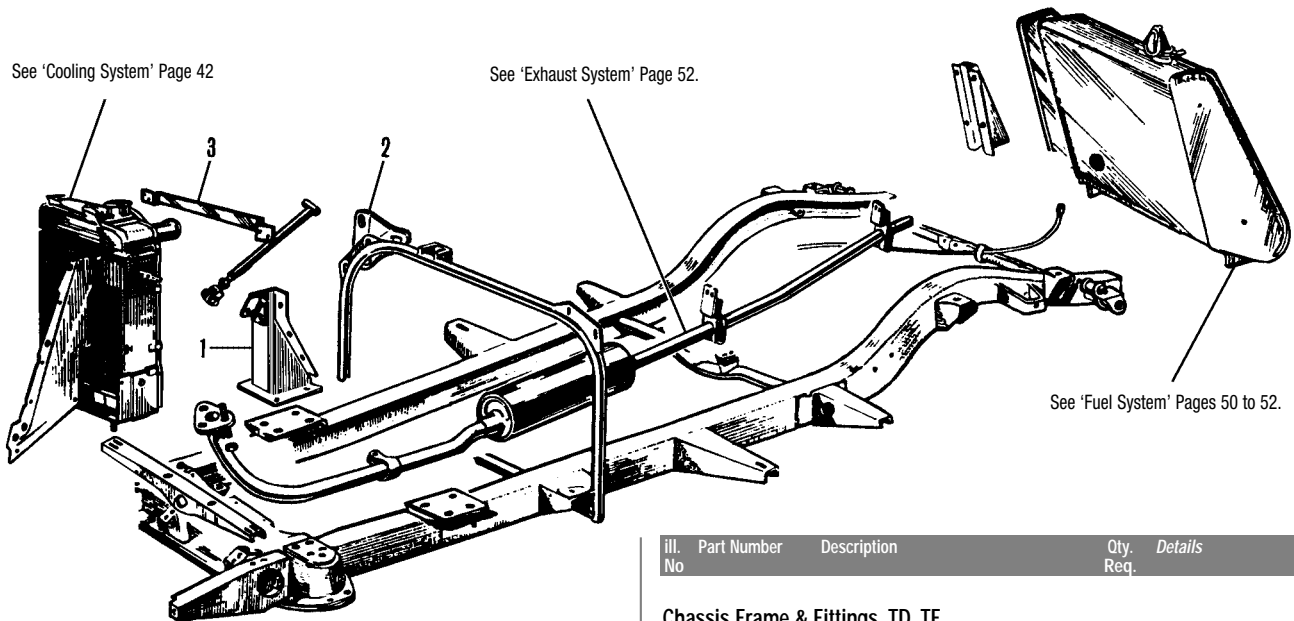
80 | Chassis Frame Fittings



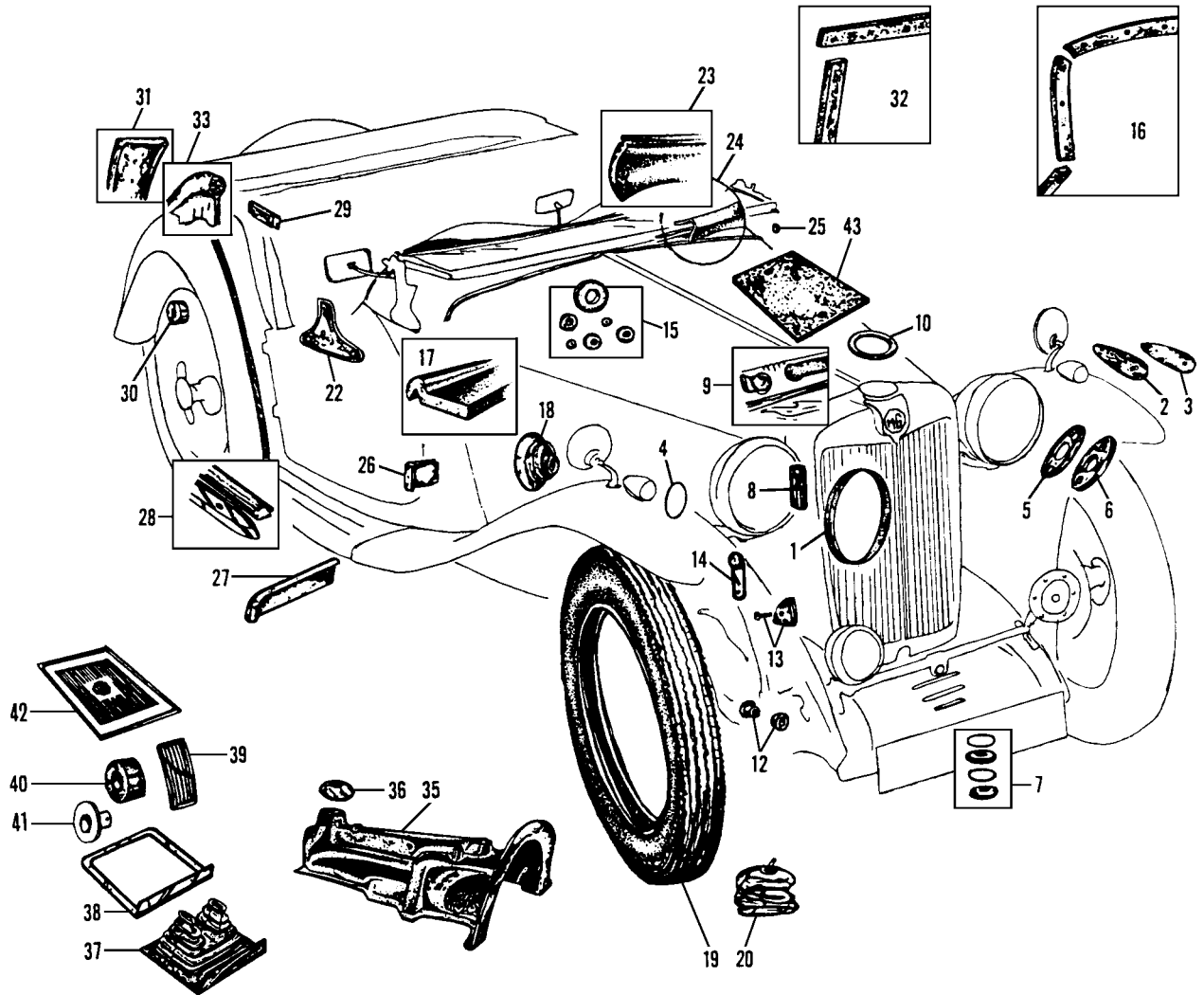
Ill. No	Part Number	Description	Qty. Req.	Details
Chassis Frame & Fittings, TA, TB, TC				
1	451-190	FRONT CHASSIS CROSS MEMBER	1	
2	406-330	MOUNTING BRACKET, number plate	2	
3	450-045	BLANK PLATE, round rear lamps	1	TA to (c)1789
	451-725	BLANK PLATE, 'D' rear lamps	1	TA from (c)1790, TB, TC
4	451-100	TIE BRACKET, headlamp mounting	1	
5	1B8347	BUSH, wing brace	4	
6	280-090	PAD, wing to brace	2	
7	451-830	FRONT WING BRACE, LH	1	
	451-835	FRONT WING BRACE, RH	1	
8	452-700	SUPPORT BRACKET, bulkhead LH	1	
	452-710	SUPPORT BRACKET, bulkhead RH	1	
9	PW072	TRUNNION BUSH REPAIR, RH	1	TA, TB
	PW072A	TRUNNION BUSH REPAIR, LH (also known as sliding bush)	1	

See 'Cooling System' Page 42

See 'Exhaust System' Page 52.

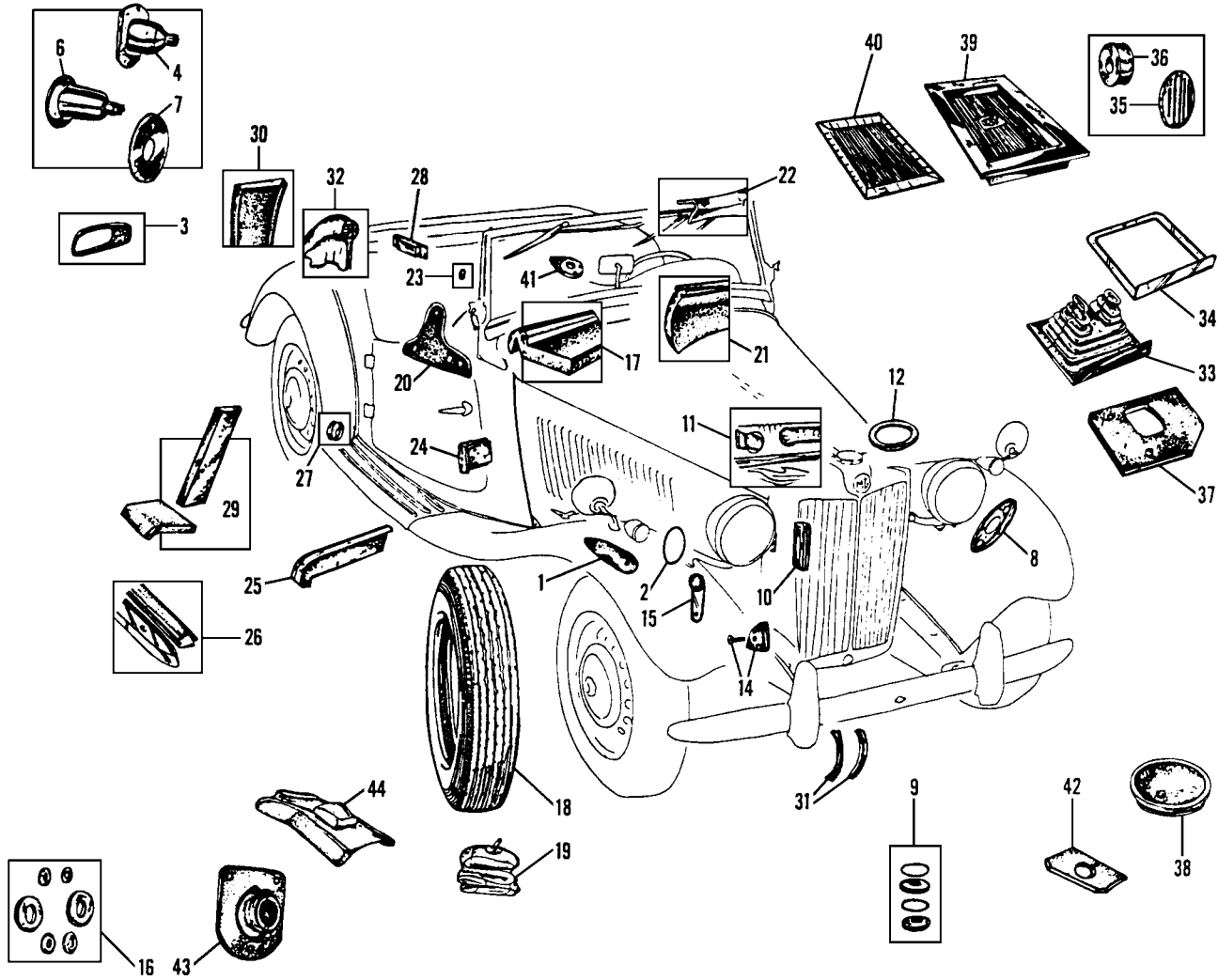


Ill. No	Part Number	Description	Qty. Req.	Details
Chassis Frame & Fittings, TD, TF				
1	449-570	BULKHEAD FOOT, RH	1	
	449-575	BULKHEAD FOOT, LH	1	
2	449-580	BRACKET, roll bar to body, RH	1	
	449-585	BRACKET, roll bar to body, LH	1	
3	451-100	TIE BRACKET, headlamp mounting	1	TD



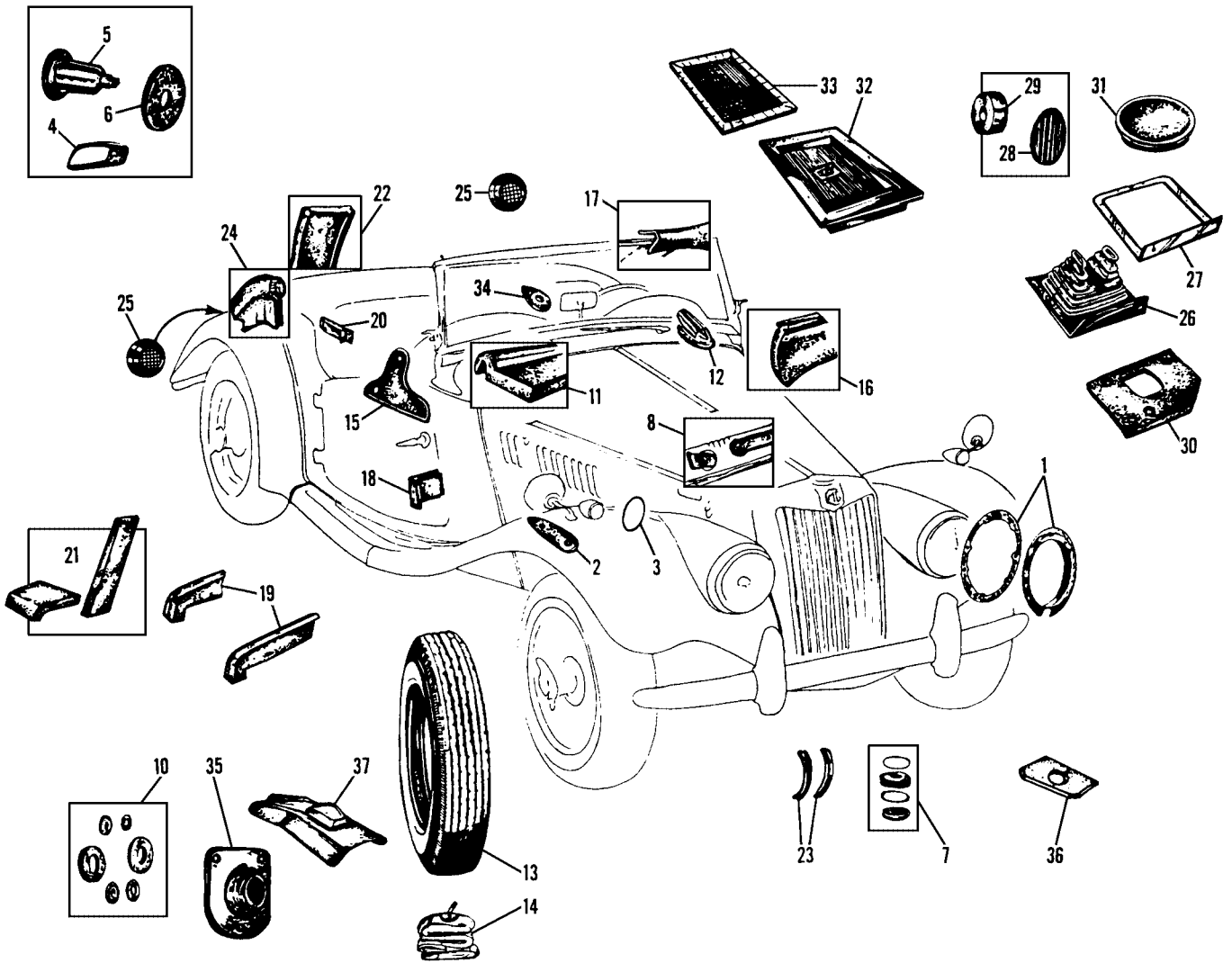
Ill. No	Part Number	Description	Qty. Req.	Details
Rubber Fittings, TA, TB, TC				
NI	PWT1791	TOOL TRAY	1	TA & TB
1	281-098	SEAL SET, headlamp	1	(2 seals)
2	281-078	PAD SET, wing to brace	1	(2 pads)
3	281-068	PAD SET, parking lamp	1	(2 pads)
4	281-088	RING SET, parking lamp lens	1	(2 rings)
5	281-048	PAD SET, headlamp bracket to wing	1	(2 pads)
6	281-058	PAD SET, wing to brace	1	(2 pads)
7	281-648	MOUNTING SET, radiator (8 pieces)	1	includes steel rings
8	281-018	FERRULE SET, radiator shell	1	(2 ferrules)
9	408-255	STRIP, radiator shell lacing	1	canvas
10	280-020	SEAL, radiator cap	1	
12	1B8347	BUSH, wing brace	4	
13	281-118	CORNER SET, bonnet (8 pieces)	1	includes rivets
14	406-828	BUFFER PLATE SET, bonnet	1	(4 buffers & plates)
	280-205	BUFFER, bonnet, each	4	
15	281-128	GROMMET SET, bulkhead	1	(6 grommets)
16	280-918	COWL SET, bulkhead to body	1	5 pieces
17	280-250	STRIP, cowl to bonnet	1	
18	280-380	EXCLUDER	1	bulkhead to steering column
19	454-700	TYRE (4.50 x 19") Dunlop	5	original tyres
20	454-410	INNER TUBE (4.50 x 19")	5	
22	281-178	PAD SET, windscreen bracket to cowl	1	(2 pads)
23	280-290	STRIP, windscreen frame to cowl	1	under windscreen
24	280-300	STRIP, windscreen glass to frame	1	
25	280-270	GROMMET, windscreen wiper wire	1	in cowl
26	281-198	BUFFER SET, door to body,	1	(4 buffers)
27	281-218	PAD SET, wing to running board	1	(2 pads)

Ill. No	Part Number	Description	Qty. Req.	Details
28	281-008	STRIP SET, running board, (6 pieces aluminium & rubber)	1	TA, TB
	281-238	STRIP SET, running board, (4 pieces aluminium & rubber)	1	TC
29	281-208	BUFFER SET, hood bow	1	(2 buffers)
30	281-308	BUSH SET, fuel tank to wing	1	(2 bushes)
31	281-298	STRIP SET, fuel tank strap,	1	(2 strips)
32	280-928	TANK SET, tank to body & chassis	1	5 pieces
33	249-120	BLACK PIPING SET (9 yards)	1	exterior set
	249-220	RED PIPING SET (9 yards)	1	
	249-320	GREEN PIPING SET (9 yards)	1	
	249-370	CREAM PIPING SET (9 yards)	1	
	249-270	BEIGE PIPING SET (9 yards)	1	
35	281-288	GEARBOX COVER	1	
36	280-470	SNUG, gearshift lever	1	
37	280-420	FUME EXCLUDER	1	brake & clutch pedal
38	406-700	RETAINING PLATE, fume excluder	1	steel
39	280-440	PAD, brake & clutch pedal	2	
40	408-680	ROLLER, accelerator pedal	1	hard plastic
41	408-685	BUSH, for roller	1	steel
42	280-995	HEEL MAT, on driver's floor	1	as original
43	280-700	PAD, under battery	1	TC



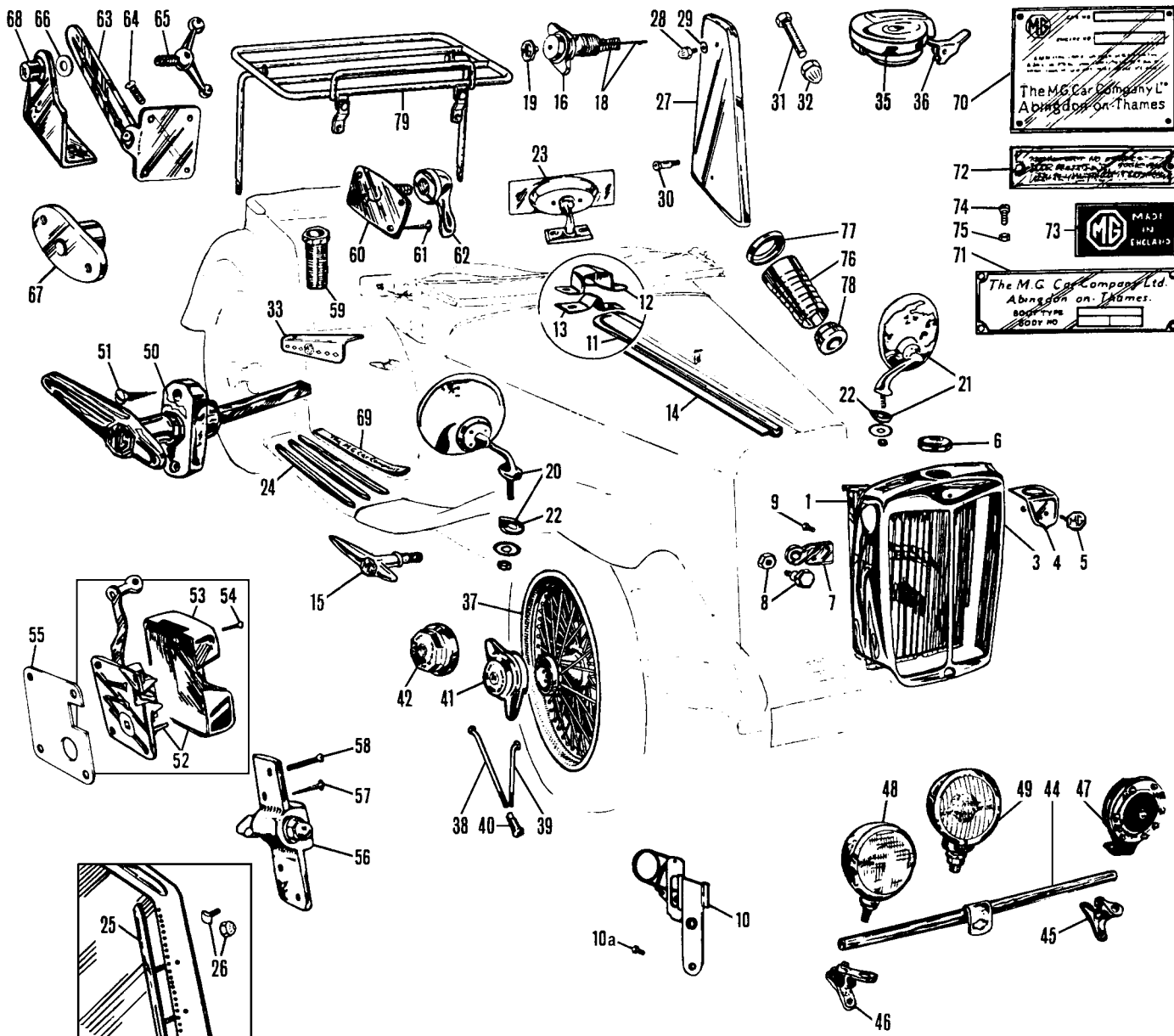
Ill. No	Part Number	Description	Qty. Req.	Details
1	281-068	PAD SET, parking lamp	1	(2 pads)
2	281-088	RING SET, parking lamp	1	(2 rings)
3	57H5368	SEAL, number plate lamp	1	
4	280-510	BODY, rectangular tail lamp	2	to (c)21302
6	37H5481	BODY, round tail lamp	2	from (c)21303
7	281-338	PAD SET, round lamp to wing	1	
8	281-048	PAD SET, headlamp bracket to wing	1	(2 pads)
9	281-648	MOUNTING SET, radiator (8 pieces)	1	includes steel rings
10	281-018	FERRULE SET, radiator shell	1	(2 ferrules)
11	408-255	STRIP, radiator shell lacing	1	
12	280-020	SEAL, radiator cap	1	
14	281-118	CORNER SET, bonnet (8 pieces)	1	includes rivets
15	406-828	BUFFER PLATE SET, bonnet	1	(4 buffers & plates)
	280-205	BUFFER, bonnet	4	each
16	281-138	GROMMET SET, bulkhead	1	(6 grommets)
	600395	GROMMET, temperature gauge	1	
17	280-250	STRIP, cowl to bonnet	1	
18	454-710	TYRE (5.50 x 15") Dunlop	5	similar to original tyres
19	454-420	INNER TUBE (5.50 x 15") Dunlop	5	
20	281-188	PAD SET, windscreen bracket to cowl	1	(2 pads)
21	280-290	STRIP, windscreen frame to cowl	1	under windscreen
22	280-300	STRIP, windscreen glass to frame	1	
23	280-270	GROMMET, windscreen wiper wire	1	in cowl
24	281-198	BUFFER SET, door to body	1	4 buffers
25	281-218	PAD SET, wing to running board	1	2 pads
26	281-248	STRIP SET, running board	1	6 pieces, aluminium & rubber
27	281-258	BUSH SET, wing to running board	1	(2 bushes)
28	281-208	BUFFER SET, hood bow	1	(2 buffers)

Ill. No	Part Number	Description	Qty. Req.	Details
29	281-798	PAD SET, fuel tank to chassis	1	(4 pads)
30	281-298	STRIP SET, fuel tank strap	1	(2 strips)
31	37H9871M	PACKING SET, over-rider to bumper	1	(8 strips)
32	249-120	BLACK PIPING SET (9 yards)	1	exterior set
	249-220	RED PIPING SET (9 yards)	1	
	249-320	GREEN PIPING SET (9 yards)	1	
	249-370	CREAM PIPING SET (9 yards)	1	
	249-270	BEIGE PIPING SET (9 yards)	1	
33	280-420	FUME EXCLUDER	1	brake & clutch pedal
34	406-700	RETAINING PLATE, pedal excluder	1	steel
35	ACA5359	PAD, brake & clutch pedal	2	
36	408-690	ROLLER, accelerator pedal	1	hard plastic
37	280-430	PAD, floorboard to pedal box	1	
38	ACA5300	PLUG, master cylinder inspection	1	LHD from (c)4237, all RHD
39	280-400	FOOT-WELL, driver's floor	1	
40	CRM2001X	HEEL MAT, driver's floor	1	LHD to (c)4236, all RHD
41	280-260	PAD, interior mirror	1	
42	282-670	PAD, under floor & around roll bar	2	
43	454-040	FUME EXCLUDER	1	steering column, leather
44	282-680	RUBBER SNUG	1	gearshift remote control



ill. No	Part Number	Description	Qty. Req.	Details
Rubber Fittings, TF				
1	281-108	SEAL SET, headlamp	1	(4 seals)
2	281-068	PAD SET, parking lamp	1	(2 pads)
3	281-088	RING SET, parking lamp	1	(2 rings)
4	57H5368	SEAL, number plate lamp	1	
5	37H5481	BODY, tail lamp	2	
6	281-338	PAD SET, tail lamp to wing	1	(2 pads)
7	281-648	MOUNTING SET, radiator, (8 pieces)	1	includes steel rings
8	280-010	STRIP, radiator shell lacing	1	
10	281-138	GROMMET SET, bulkhead	1	(6 grommets)
11	280-250	STRIP, cowl to bonnet	1	
12	281-168	GROMMET SET, wiper shaft	1	(2 grommets)
	600395	GROMMET, temperature gauge	1	
13	454-710	TYRE (5.50 X 15") Dunlop	5	similar to
14	454-420	INNER TUBE (5.50 X 15") Dunlop	5	original tyre
15	281-188	PAD SET, windscreen bracket to cowl	1	(2 pads)
16	280-290	STRIP, windscreen frame to cowl	1	under windscreen
17	280-300	STRIP, windscreen glass to frame	1	
18	281-198	BUFFER SET, door to body,	1	(4 buffers)
19	281-218	PAD SET, wing to running board	2	(2 pads)
20	281-208	BUFFER SET, rear side-screen to hood	1	(2 buffers)
21	281-798	PAD SET, fuel tank to chassis	1	(4 pads)
22	281-298	STRIP SET, fuel tank strap	1	(2 strips)
23	37H9871M	PACKING SET, over-rider to bumper	1	(8 strips)
24	249-120	BLACK PIPING SET (9 yards)	1	exterior set
	249-220	RED PIPING SET (9 yards)	1	
	249-320	GREEN PIPING SET (9 yards)	1	
	249-370	CREAM PIPING SET (9 yards)	1	
	249-270	BEIGE PIPING SET (9 yards)	1	
	249-280	TAN PIPING SET (9 yards)	1	

ill. No	Part Number	Description	Qty. Req.	Details
25	144-600	REFLECTOR	2	
26	280-420	FUME EXCLUDER	1	brake & clutch pedal
27	406-700	RETAINING PLATE, pedal excluder	1	steel
28	ACA5359	PAD, brake & clutch pedal	2	
29	408-690	ROLLER, accelerator pedal	1	hard plastic
30	280-430	PAD, floorboard to pedal box	1	
31	ACA5300	PLUG, master cylinder inspection	1	LHD only
32	280-400	FOOT-WELL, driver's floorboard	1	
33	CRM2001X	HEEL MAT, driver's floorboard	1	RHD only
34	280-260	PAD, interior mirror	1	
35	454-040	FUME EXCLUDER	1	steering column, leather
36	282-670	PAD, under floor & around roll bar	2	
37	282-680	RUBBER SNUG	1	gearshift remote control
	AAA260C	PAD SET, fuel pump	1	(2 pads)



iii. Part Number No	Description	Qty. Req.	Details
---------------------	-------------	-----------	---------

Exterior Body Fittings & Chrome Trim, TA, TB, TC

See also Accessories

Radiator Shell & Grille

1	454-170	SLATS, radiator shell, primed	1	
3	454-757	RADIATOR SHELL	1	not currently available
4	202-050	FALSE NOSE, radiator shell	1	
5	E103	MEDALLION, radiator shell	1	brown & cream
6	202-010	RADIATOR CAP	1	
7	202-030	BRACKET, headlamp	2	through radiator shell
8	321-288	BOLT & NUT SET, outer bracket	2	(1 of each), chrome
9	AJD6155Z	BOLT, inner bracket, not chrome	4	

Note: Additional radiator parts are listed on page 42.

Bonnet Items & Miscellaneous Body Fittings

10	406-855	BRACKET, RH, bonnet catch	2	cadmium plated
	406-860	BRACKET, LH, bonnet catch	2	
10a	158-018	SCREW (bonnet catch)	a/r	
11	453-050	STRIP, centre bonnet	1	chrome-plated brass
12	407-200	OUTER SUPPORT, bonnet strip	2	chrome
13	407-300	INNER SUPPOT, bonnet strip, steel	2	
14	451-675	HINGE PLATE, (welded to bonnet)	2	

iii. Part Number No	Description	Qty. Req.	Details
---------------------	-------------	-----------	---------

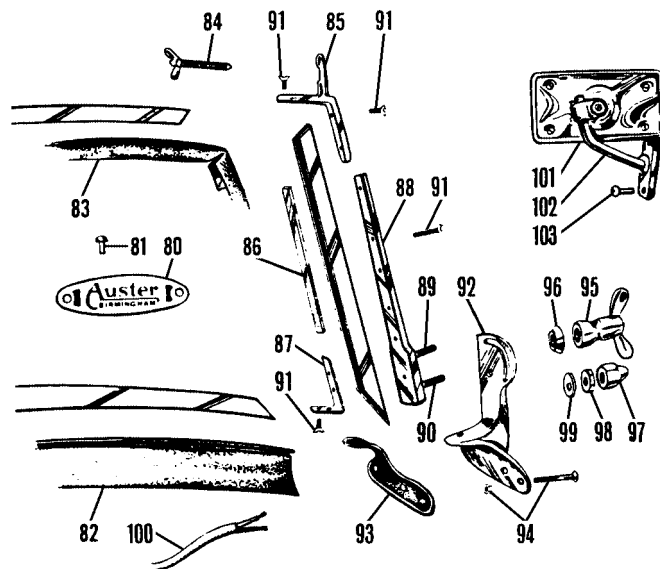
15	406-850	BONNET HANDLE, RH	2	
	406-840	BONNET HANDLE, LH	2	
16	200-250	WHEEL SPINNER, spare wheel	1	does not include key & spring
18	200-255	KEY & SPRING, with collar	1	
19	AAAS23	MEDALLION, spare wheel spinner	1	
20	WM1904	MIRROR, convex lens, RH wing	1	reproduction of Lucas period accessory
21	WM1905	MIRROR, convex lens, LH wing	1	
22	280-140	PAD, wing mirror, rubber	2	
23	633-570	DASH MIRROR, rear view	1	period accessory
24	281-008	STRIP SET, running board, (12 pieces)	1	TA, TB
	281-238	STRIP SET, running board, (8 pieces)	1	TC
25	252-098	STRIP SET, side screen, (inc. hardware)	1	TA, TB
	252-108	STRIP SET, side screen, (inc. hardware)	1	TC
26	252-008	BOLT & NUT SET, side screen strip	1	contains 63 of each
27	451-638	END PANEL SET, fuel tank	1	2 end panels
28	320-830	ACORN BOLT, fuel tank end panel	4	
29	011-176	WASHER, end panel acorn bolt	4	
30	320-840	BOLT, rear wing to fuel tank	2	not chrome
31	320-400	BOLT, fuel tank strap mounting	2	not chrome
32	311-160	ACORN NUT, fuel tank strap bolt	2	
33	229-655	DOOR TOP ARMREST SET	1	chrome, accessory
35	407-090	FUEL CAP, original	1	
36	407-105	RELEASE LEVER, fuel cap	1	

Ill. No	Part Number	Description	Qty. Req.	Details
Wire Wheels				
37	454-607	WIRE WHEEL, painted	5	TA to (c)1769 outer laced 19"
	454-600	WIRE WHEEL, painted	5	TA from (c)1770, TB
	454-795	WIRE WHEEL, chrome	5	TC, centre laced 19"
38	200-010	SPOKE (standard), long-outer	80	TA from (c)1770, TB,
39	200-020	SPOKE (standard), short-inner	160	TC, centre laced 19"
40	7H1709	NIPPLE (standard)	a/r	
41	AHH7317A	WHEEL SPINNER, RH, 2-eared	4	
	AHH7318A	WHEEL SPINNER, LH, 2-eared	4	with MG motif
42	AHH7315A	WHEEL SPINNER, RH, octagonal	4	
	AHH7316A	WHEEL SPINNER, LH, octagonal	4	

Ill. No	Part Number	Description	Qty. Req.	Details
Badge Bar				
44	451-070	BADGE BAR	1	
45	406-310	BRACKET, badge bar (LH)	1	aluminium
46	406-320	BRACKET, badge bar (RH)	1	aluminium
47	165-900	HORN	1	exact reproduction of the TC original
48	169-020	FOG LAMP (exact reproduction of Lucas FT27)	1	TA, TB, TC to (c)4738
49	169-000	FOG LAMP (exact reproduction of Lucas SFT462)	1	TC from (c)4739

Ill. No	Part Number	Description	Qty. Req.	Details
Handles/Locks, ID Plates & Miscellaneous Fittings				
50	401-490	EXTERIOR HANDLE, RH	1	includes cover
	401-480	EXTERIOR HANDLE, LH	1	and screws
51	323-540	SCREW, handle securing	4	
52	401-200	DOOR LOCK, RH	1	
	401-100	DOOR LOCK, LH	1	
53	401-250	COVER, RH door lock	1	
	401-150	COVER, LH door lock	1	
54	323-718	SCREW SET, door lock cover	1	4 screws
55	401-170	SHIM, door lock, 1/16"	a/r	
56	401-308	STRIKER PLATE & WEDGE	2	includes screws
57	323-540	WOOD SCREW, striker securing	4	
58	323-390	MACHINE SCREW, striker securing	4	
59	405-400	SOCKET, side screen (in door top)	2	
60	408-615	PLATE, side screen mounting	4	TA, TB
	405-200	PLATE, side screen mounting	4	TC (illustrated)
61	323-540	WOOD SCREW, side screen plate	12	TA, TB, TC
	323-390	MACHINE SCREW, side screen plate	4	TC
62	MB19331	NUT, side screen plate	4	
63	406-110	BRACKET, seat back	2	
64	323-090	SCREW, seat back bracket	8	
65	406-100	WING BOLT, seat adjusting	2	
66	324-610	FIBRE WASHER	2	
67	408-625	BRACKET, RH wheel arch	1	TA, TB
	408-635	BRACKET, LH wheel arch	1	
68	406-130	BRACKET, RH wheel arch	1	TC
	406-120	BRACKET, LH wheel arch	1	
69	451-398	THRESHOLD PLATE SET (2 plates etched with 'The MG Car Company Ltd')	1pr	
70	408-405	CHASSIS ID PLATE	1	TA
	408-415	CHASSIS ID PLATE	1	TB
	408-700	CHASSIS ID PLATE	1	TC
71	408-730	BODY ID PLATE	1	
72	408-780	PATENT NUMBER PLATE	1	
73	408-760	'MADE IN ENGLAND' PLATE	1	
74	FAS3	SCREW, brass (ID plates)	a/r	
75	FAS4	NUT, ID plate screw	a/r	
76	1D6163	SPRING COVER, steering column	1	TA late, TB, TC
77	108611	CAP, spring cover	1	spline fitting type
78	262-290	WASHER, spring cover (not chrome)	1	wheel only

Ill. No	Part Number	Description	Qty. Req.	Details
Boot Rack (Factory Style)				
79	244-400	BOOT RACK	1	chrome
	244-410	BOOT RACK	1	stainless steel

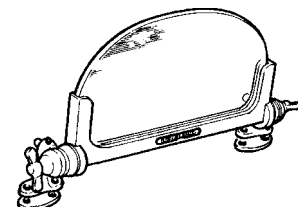


Ill. No	Part Number	Description	Qty. Req.	Details
Windscreen Components				
80	CRCP329	'AUSTER' NAME PLATE	1	
81	FAS1	RIVET, name plate securing	2	
82	280-290	STRIP, frame to cowl, rubber	1	
83	280-300	STRIP, glass to frame, rubber	1	
84	AAA5166	WING BOLT, hood to windscreen	2	
85	408-600	TOP CORNER BRACKET, LH	1	
	408-610	TOP CORNER BRACKET, RH	1	
86	408-820	THREADED STRIP, side windscreen	2	
87	408-620	BRACKET, bottom corner	2	
88	408-235	SIDE SUPPORT, LH	1	
	408-245	SIDE SUPPORT, RH	1	
89	408-285	STUD, upper	2	windscreen
90	408-295	STUD, lower	2	side support
91	323-908	SCREW SET, windscreen frame	1	28 screws
92	408-655	COWL BRACKET, LH	1	
	408-665	COWL BRACKET, RH	1	
93	281-178	PAD SET, bracket to cowl	1	2 rubber pads
94	323-778	SCREW SET, bracket to cowl	1	6 screws & nuts
95	225-400	WING NUT	2	
96	408-660	CONE SPACER, wing nut	2	
97	311-170	DOME NUT, side support	2	
98	311-180	LOCK NUT, dome nut	2	
99	408-650	'D' WASHER, lock nut	2	
100	162-020	WIPER 'WIRE', (wiper motor, 8')	1	
101	407-350	MIRROR, windscreen, RH	1	with bracket
	407-347	MIRROR HEAD	1	TC type without medallion
	407-357	GLASS LENS	1	
102	407-400	BRACKET, for mirror, RH	1	
	407-500*	BRACKET, for mirror, LH	1	optional
103	323-090	SCREW	2	

*Note: See page 89 for alternative LH mirror bracket (that does not require drilling).

Brooklands Type Aero-screens

This period style aero-screen incorporates a polished cast aluminium frame, chrome plated brass fittings and laminated safety glass. While similar to factory aero-screens they do not fit directly onto the T Series scuttle, mounting brackets are therefore supplied. (Sold individually)

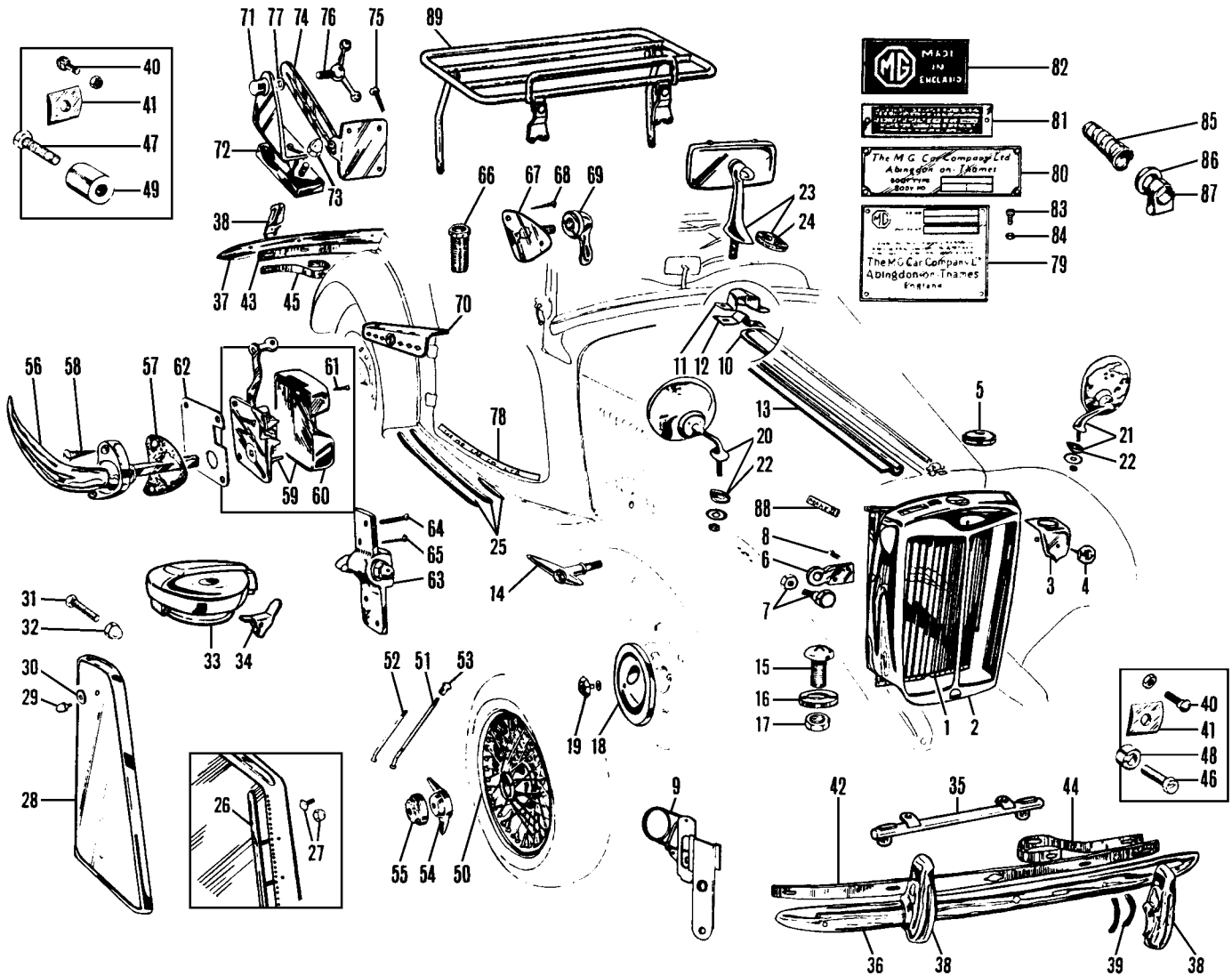


700896	AERO-SCREEN KIT, reproduction	2	per side
AD606063	SCREW, foot to scuttle	8	

Number Plates (Pressed)

These items are identical to those used on cars in the 1940's, '50s and '60s. We supply these pressed plates with up to 7 letters or numbers of your choice. Available to special order only, please call your local Moss branch for full details.

NI	NP1	Pressed Number Plates	a/r
----	-----	-----------------------	-----



Ill. No	Part Number	Description	Qty. Req.	Details
---------	-------------	-------------	-----------	---------

Exterior Body Fittings & Chrome Trim, TD

See also Accessories

Radiator Shell & Grille

1	454-170	SLATS, radiator shell, primed	1	
2	454-757	RADIATOR SHELL	1	not currently available
3	202-050	FALSE NOSE, radiator shell	1	
4	E103	MEDALLION, radiator shell	1	brown & cream
5	202-010	RADIATOR CAP	1	
6	202-030	BRACKET, headlamp	2	through radiator shell
7	321-288	BOLT & NUT SET, outer bracket	2	(1 of each), chrome
8	AJD6155Z	BOLT, inner bracket, not chrome	4	

*Note: Additional radiator parts are listed on page 42.

Bonnet Items & Miscellaneous Body Fittings

9	406-855	BRACKET, RH, bonnet catch	2	
	406-860	BRACKET, LH, bonnet catch	2	
10	453-050	STRIP, centre bonnet	1	chrome-plated brass
11	407-200	OUTER SUPPORT, bonnet strip	2	chrome
12	407-300	INNER SUPPORT, bonnet strip	2	steel
13	451-675	HINGE PLATE, (welded to bonnet)	2	
14	406-850	BONNET HANDLE, RH	2	
	406-840	BONNET HANDLE, LH	2	
15	323-160	SCREW, splash apron	6	
16	324-455	WASHER, splash apron screw	6	
17	AJD8105Z	NUT, splash apron screw	a/r	
18	ACH8304	HUB CAP, includes medallion	5	original type
	200-235	HUB CAP (with hole)	5	less medallion
19	200-277	MEDALLION	5	

Ill. No	Part Number	Description	Qty. Req.	Details
---------	-------------	-------------	-----------	---------

20	WM1904	MIRROR, convex lens, RH wing	1	reproduction of
21	WM1905	MIRROR, convex lens, LH wing	1	Lucas
22	280-140	PAD, wing mirror, rubber	2	period accessory
23	165-090	DASH MIRROR, rear view	1	
24	280-260	PAD, dash mirror, rubber	1	
25	281-248	STRIP SET, running board	1	6 pieces aluminium & rubber
26	252-208	STRIP SET, side screen	1	2 bow hoods to (c)20695 RHD (c)20373 LHD, with 2 free-standing metal bows
	252-308	STRIP SET, side screen	1	3 bow hoods from (c)20696 RHD (c)20374 LHD, with 3 free-standing metal bows
27	252-018	BOLT & NUT SET, side screen strip	1	58 of each
28	451-648	END PANEL SET, fuel tank	1	2 end panels
29	320-830	ACORN BOLT, fuel tank end panel	4	
30	011-176	WASHER, end panel acorn bolt	4	
31	320-400	BOLT, fuel tank strap mounting	4	not chrome
32	311-160	ACORN NUT, fuel tank strap bolt	4	
33	407-090	FUEL CAP	1	TC type
34	407-105	RELEASE LEVER, fuel cap	1	
35	451-060	BADGE BAR	1	

Bumpers & Fittings

36	AAA4936	BUMPER FACE BAR, front	1	
37	AAA4941	BUMPER FACE BAR, rear	1	
38	27H9612	OVER-RIDER, front & rear	4	with bolts
39	37H9871M	PACKING SET, over-rider	1	8 pieces
40	554700K	BOLT, bumper, with nut	5	

Ill. No	Part Number	Description	Qty. Req.	Details
41	ACC5811	PACKING, bumper to back bar	9	
42	AAA4937	BACK BAR, front bumper	1	
43	453-060	BACK BAR, rear bumper	1	
44	454-020	BRACKET, front bumper	2	
45	454-030	BRACKET, rear bumper	2	
46	320-720	BOLT, front bracket to chassis	2	
47	320-730	BOLT, rear bracket to chassis	2	
48	400-100	SPACER, front bracket to chassis	2	
49	400-200	SPACER, rear bracket to chassis	2	

Wire Wheel Conversion Kit

The following wire wheel conversion kits are designed to convert your disc wheeled TD to wire wheels. Each kit includes four splined hubs, four brake drums, one spare wheel adaptor with spinner (to convert spare wheel carrier to wire wheels), and all the studs, nuts, etc. for an easy installation. These kits will enhance the appearance of any TD and are identical to the original factory option for the TF.

Note: Our conversion kits do not include wheel or spinners. Parts required in addition to the conversion kit are listed here.

111-518	WIRE WHEEL CONVERSION KIT	1	
---------	---------------------------	---	--

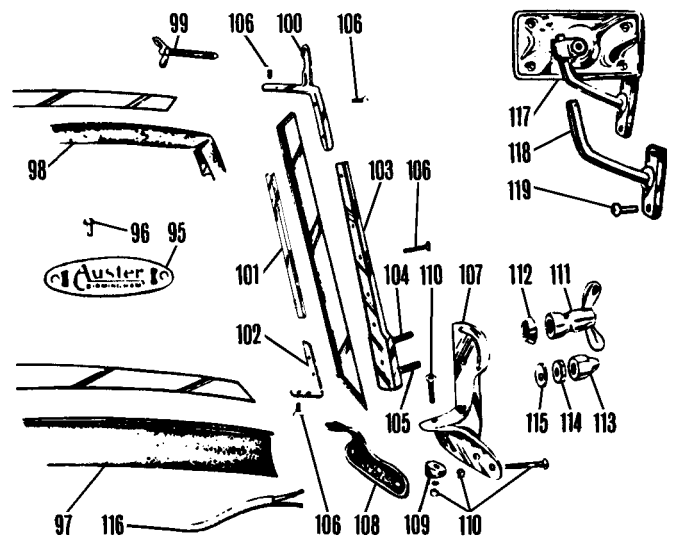
Wire Wheels

50	WWP450	WIRE WHEEL, painted	5	} 48 spoke
	WWC450	WIRE WHEEL, chrome	5	
	WWP452	WIRE WHEEL, painted	5	} 60 spoke
	WWC452	WIRE WHEEL, chrome	5	
51	7H1805	SPOKE (standard), long-outer	80	} 48 spoke
	7H1805CP	SPOKE (Chrome), long-outer	80	
	17H8619	SPOKE (standard), long-outer	100	} 60 spoke
	17H8619CP	SPOKE (Chrome), long-outer	100	
52	7H1806	SPOKE (standard), short-inner	160	} 48 spoke
	7H1806CP	SPOKE (Chrome), short-inner	160	
	17H8620	SPOKE (standard), short-inner	200	} 60 spoke
	17H8620CP	SPOKE (Chrome), short-inner	200	
53	7H1709	NIPPLE (standard)	a/r	
	7H1709CP	NIPPLE (Chrome)	a/r	
54	AHH7317A	WHEEL SPINNER, RH, 2-eared	4	} with MG motif
	AHH7318A	WHEEL SPINNER, LH, 2-eared	4	
55	AHH7315A	WHEEL SPINNER, RH, octagonal	4	
	AHH7316A	WHEEL SPINNER, LH, octagonal	4	

Handles/Locks, ID Plates & Miscellaneous Fittings

56	401-657	EXTERIOR HANDLE	2	
57	401-648	GASKET SET, exterior handle	1	2 gaskets
58	323-530	SCREW, handle securing	4	
59	401-200	DOOR LOCK, RH	1	} includes cover and screws
	401-100	DOOR LOCK, LH	1	
60	401-250	COVER, RH door lock	1	
	401-150	COVER, LH door lock	1	
61	323-718	SCREW SET, door lock cover	1	4 screws
62	401-170	SHIM, door lock (1/16")	a/r	
63	401-408	STRIKER PLATE & WEDGE	2	includes screws
64	AJD2246	MACHINE SCREW, striker securing	4	
65	323-530	WOOD SCREW, striker securing	4	
66	405-400	SOCKET, side screen, in door top	2	
67	AAA5154	PLATE, side screen mounting	4	
68	323-530	SCREW, side screen plate	12	
69	MB19331	NUT, side screen plate	4	
70	229-655	DOOR TOP ARMREST SET	1	(chrome), accessory
71	406-140	BRACKET, wheel arch	2	
72	406-150	PLATE, wheel arch bracket retaining	2	not chrome
73	406-160	DOME NUT, wheel arch bracket	4	
74	406-110	BRACKET, seat back	2	
75	AJD2246	SCREW, seat back bracket	8	
76	406-100	WING BOLT, seat adjusting	2	
77	324-610	FIBRE WASHER	2	
78	451-398	THRESHOLD PLATE SET	1pr	
		(2 plates etched with 'The MG Car Company Ltd')		
79	CRB195	CHASSIS ID PLATE	1	
80	408-730	BODY ID PLATE	1	
81	408-780	PATENT NUMBER PLATE	1	
82	408-760	'MADE IN ENGLAND' PLATE	1	
83	FAS3	SCREW, brass (ID plates)	10	
84	FAS4	NUT, ID plate screw	10	
85	AAA1651	SPRING COVER, steering column	1	
86	AAA1650	CAP, spring cover	1	
87	AAA192	CLAMP ASSEMBLY, column	1	includes nut, bolt & washer
88	408-200	MEDALLION 'MARK II'	2/3	TD MkII

Ill. No	Part Number	Description	Qty. Req.	Details
		Boot Rack (Factory Style)		
89	244-500	BOOT RACK	1	chrome
	244-510	BOOT RACK	1	stainless steel



Windscreen Components

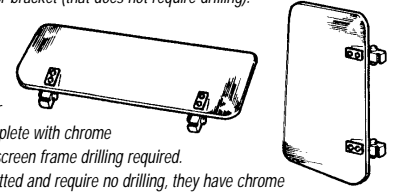
95	CRCP329	'AUSTER' NAME PLATE	1	
96	FAS1	RIVET, name plate securing	2	
97	280-290	STRIP, frame to cowl, rubber	1	
98	280-300	STRIP, glass to frame, rubber	1	
99	AAA5166	WING BOLT, hood to windscreen	2	
100	408-600	TOP CORNER BRACKET, LH	1	
	408-610	TOP CORNER BRACKET, RH	1	
101	408-630	THREADED STRIP, side windscreen	2	
102	408-620	BRACKET, bottom corner	2	
103	408-230	SIDE SUPPORT, LH	1	
	408-240	SIDE SUPPORT, RH	1	
104	408-285	STUD, upper, windscreen side support	2	
105	408-295	STUD, lower, windscreen side support	2	
106	323-918	SCREW SET, windscreen frame	1	26 screws
107	408-315	COWL BRACKET, LH	1	
	408-325	COWL BRACKET, RH	1	
108	281-188	PAD SET, bracket to cowl, rubber	1	2 rubber pads
109	408-250	SPACER, bracket to cowl	2	
110	323-898	SCREW SET, bracket to cowl	1	8 screws & nuts
111	225-400	WING NUT	2	
112	408-660	CONE SPACER, wing nut	2	
113	311-170	DOME NUT, side support	2	
114	311-180	LOCK NUT, dome nut	2	
115	408-650	'D' WASHER, lock nut	2	
116	162-020	WIRE, wiper motor	1	
117	407-350	SIDE MIRROR, windscreen, RH	1	with bracket (TC style)
	407-347	MIRROR HEAD	1	TC type without medallion
	407-357	GLASS LENS	1	
118	407-400	BRACKET, for mirror, RH	1	
	407-500*	BRACKET, for mirror, LH	1	
119	AJD2246	SCREW	2	

*Note: Windscreen bracket will require drilling and tapping to mount above mirrors.

*Note: See page 89 for alternative LH mirror bracket (that does not require drilling).

Wind Wings & Period Sun Visors

Our classic polished clear Plexiglas wind wings eliminate side draughts to make motoring in your T Series MG more pleasurable. Sold in pairs complete with chrome mounting hardware. Installation is easy, no windscreen frame drilling required. The green tinted Plexiglas sun visors are easily fitted and require no drilling, they have chrome plated mountings similar to the wind wings and are a most useful accessory. Sold individually.



240-100	WIND WING SET, accessory	1pr
240-300	SUN VISOR, accessory	2

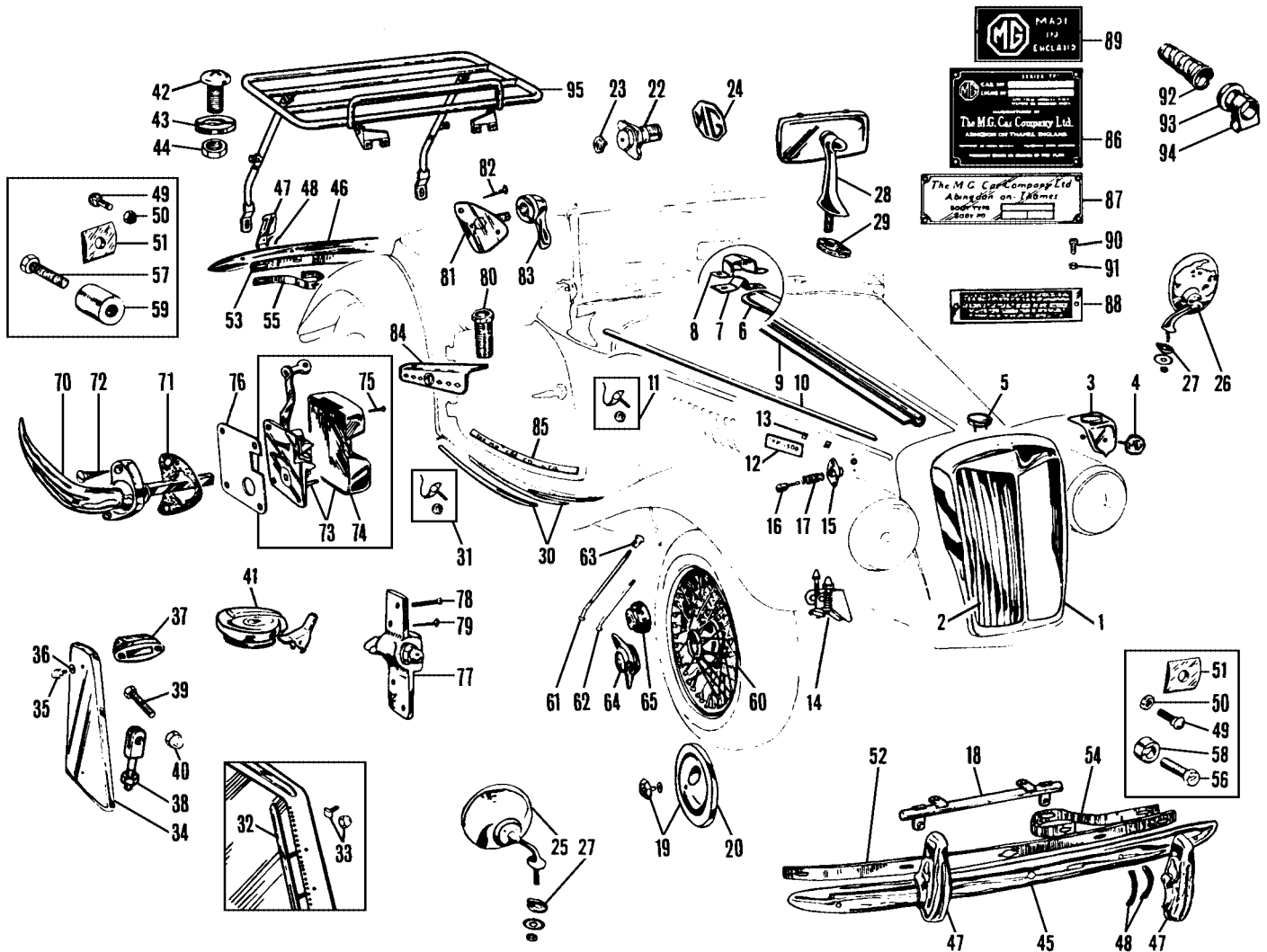
Number Plates (Pressed)

These items are identical to those used on cars in the 1940's, '50s and '60s. We supply these pressed plates with up to 7 letters or numbers of your choice.

Available to special order only, please call your local Moss branch for full details.

NI	NP1	Pressed Number Plates	a/r
----	-----	-----------------------	-----





Ill. No	Part Number	Description	Qty. Req.	Details
---------	-------------	-------------	-----------	---------

Body Fittings & Chrome Trim, TF

See also Accessories

Radiator Shell & Grille

1		RADIATOR SHELL	1	
2	454-148	GRILLE SLAT SET, radiator shell	1	(12 slats)
	451-030	GRILLE SLAT, radiator shell, each	12	
3		FALSE NOSE, radiator shell	1	
4	201-030	MEDALLION, radiator shell	1	black & white
5		RADIATOR CAP, dummy	1	

Bonnet Items & Miscellaneous Body Fittings

6	453-050	STRIP, centre bonnet	1	chrome-plated brass
7	407-200	OUTER SUPPORT, bonnet strip	2	chrome
8	407-300	INNER SUPPORT, bonnet strip	2	steel
9	451-675	HINGE PLATE, (welded to bonnet)	2	
10	453-070	STRIP, bonnet side	2	chrome-plated brass
11	AHH6360	STUD PLATE & NUT, bonnet strip	10	5 per strip
12	408-300	MEDALLION 'TF 1500'	2	as fitted
13	326-510	SPIRE CLIP, medallion attaching	4	
14	457-895	BONNET CATCH, RH	2	
	457-905	BONNET CATCH, LH	2	
15	406-950	HOUSING, bonnet button	4	
16	406-955	BUTTON, bonnet	4	
17	329-090	SPRING, for button	4	
18	451-060	BADGE BAR	1	
19	ACH8304	HUB CAP, includes medallion	5	original type
	200-235	HUB CAP (with hole)	5	less medallion
20	200-277	MEDALLION	5	

Ill. No	Part Number	Description	Qty. Req.	Details
---------	-------------	-------------	-----------	---------

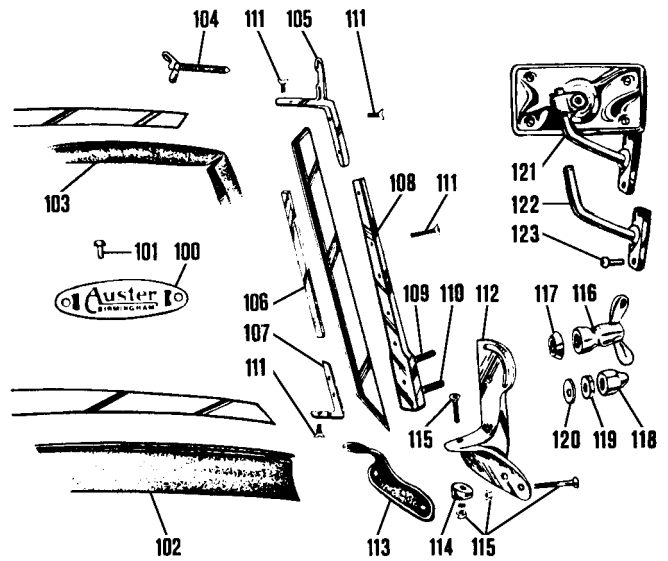
22	200-260	WHEEL SPINNER, spare wheel	1	
23	201-030	MEDALLION, spare wheel spinner	1	
24	AAA5021	MEDALLION, spare wheel	1	steel wheels
25	WM1904	MIRROR, convex lens, RH wing	1	reproduction of
26	WM1905	MIRROR, convex lens, LH wing	1	Lucas
27	280-140	PAD, wing mirror, rubber	2	period accessory
28	165-090	DASH MIRROR, rear view	1	
29	280-260	PAD, dash mirror, rubber	1	
30	451-745	STRIP SET, running boards	1	chrome-plated brass, (set of 6)
31	AHH6360	STUD & NUT, running board strips	26	
32	252-408	STRIP SET, side screen, complete	1	stainless steel
33	252-018	BOLT & NUT SET, side screen strip	1	58 of each
34	451-658	END PANEL SET, fuel tank	1	2 end panels
35	320-830	ACORN BOLT, fuel tank end panel	4	
36	011-176	WASHER, end panel acorn bolt	4	
37	407-110	TOP BRACKET, fuel tank strap	2	chrome
38	449-005	BOTTOM BRACKET, fuel tank strap	2	
39	AJD6261Z	BOLT, fuel tank strap mounting	4	not chrome
40	311-160	ACORN NUT, petrol tank strap bolt	4	
41	407-090	FUEL CAP, original type	1	
	407-105	RELEASE LEVER, fuel cap	1	
42	323-160	SCREW, splash apron	2	
43	324-455	WASHER, splash apron screw	2	
44	AJD8105Z	NUT, splash apron screw	2	

Ill. No	Part Number	Description	Qty. Req.	Details
Bumpers & Fittings				
45	AAA4936	BUMPER FACE BAR, front	1	
46	ACG5024	BUMPER FACE BAR, rear	1	
47	27H9612	OVER RIDER, front & rear	4	with bolts
48	37H9871M	PACKING SET, over rider	1	8 pieces
49	554700K	BOLT, bumper	6	
50	GHF202	NUT, bumper bolt	6	
51	ACC5811	PACKING, bumper to back bar	10	
52	AAA4937	BACK BAR, front bumper	1	
53	453-060	BACK BAR, rear bumper	1	
54	454-020	BRACKET, front bumper	2	
55	454-030	BRACKET, rear bumper	2	
56	320-720	BOLT, front bracket to chassis	2	
57	320-730	BOLT, rear bracket to chassis	2	
58	400-100	SPACER, front bracket to chassis	2	
59	400-200	SPACER, rear bracket to chassis	2	

Ill. No	Part Number	Description	Qty. Req.	Details
Wire Wheels				
60	WWP450	WIRE WHEEL, painted	5	48 spoke
	WWC450	WIRE WHEEL, chrome	5	
	WWP452	WIRE WHEEL, painted	5	60 spoke
	WWC452	WIRE WHEEL, chrome	5	
61	7H1805	SPOKE (standard), long-outer	80	48 spoke
	7H1805CP	SPOKE (Chrome), long-outer	80	
	17H8619	SPOKE (standard), long-outer	100	60 spoke
	17H8619CP	SPOKE (Chrome), long-outer	100	
62	7H1806	SPOKE (standard), short-inner	160	48 spoke
	7H1806CP	SPOKE (Chrome), short-inner	160	
	17H8620	SPOKE (standard), short-inner	200	60 spoke
	17H8620CP	SPOKE (Chrome), short-inner	200	
63	7H1709	NIPPLE (standard)	a/r	
	7H1709CP	NIPPLE (Chrome)	a/r	
64	AHH7317A	WHEEL SPINNER, RH, 2-eared	4	with MG motif
	AHH7318A	WHEEL SPINNER, LH, 2-eared	4	
65	AHH7315A	WHEEL SPINNER, RH, octagonal	4	
	AHH7316A	WHEEL SPINNER, LH, octagonal	4	

Ill. No	Part Number	Description	Qty. Req.	Details
Handles/Locks, ID Plates & Miscellaneous Fittings				
70	401-657	EXTERIOR HANDLE	2	
71	401-648	GASKET SET, exterior handle	1	2 gaskets
72	323-530	SCREW, handle securing	4	
73	401-200	DOOR LOCK, RH	1	includes cover & screws
	401-100	DOOR LOCK, LH	1	
74	401-250	COVER, RH door lock	1	
	401-150	COVER, LH door lock	1	
75	323-718	SCREW SET, door lock cover	1	4 screws
76	401-170	SHIM, door lock, 1/16"	a/r	
77	401-408	STRIKER PLATE & WEDGE	2	includes screws
78	AJD2246	MACHINE SCREW, striker securing	4	
79	323-530	WOOD SCREW, striker securing	4	
80	405-400	SOCKET, side screen, in door top	2	
81	AAA5154	PLATE, side screen mounting	4	
82	323-530	SCREW, side screen plate	12	
83	MB19331	NUT, side screen plate	4	
84	229-655	DOOR TOP ARMREST SET	1	chrome accessory
<i>Note: Additional door parts are listed on page 78</i>				
85	451-398	THRESHOLD PLATE SET (2 plates etched with 'The MG Car Company Ltd')	1pr	
86	408-710	CHASSIS ID PLATE	1	
87	408-730	BODY ID PLATE	1	
88	CRCP367	PATENT NUMBER PLATE	1	
89	408-760	'MADE IN ENGLAND' PLATE	1	
90	FAS3	SCREW, ID plate	a/r	
91	FAS4	NUT, ID plate screw	a/r	
92	AAA1651	SPRING COVER, steering column	1	
93	AAA1650	CAP, spring cover	1	
94	AAA192	CLAMP ASSEMBLY, column	1	includes nut, bolt & washer

Ill. No	Part Number	Description	Qty. Req.	Details
Boot Rack (Factory Style)				
95	244-600	BOOT RACK	1	chrome
	244-610	BOOT RACK	1	stainless steel



Ill. No	Part Number	Description	Qty. Req.	Details
Windscreen Components				
100	CRCP329	'AUSTER' NAME PLATE	1	
101	FAS1	RIVET, name plate securing	1	
102	280-290	STRIP, frame to cowl, rubber	1	
103	280-300	STRIP, glass to frame, rubber	1	
104	AAA5166	WING BOLT, hood to windscreen	2	
105	408-600	TOP CORNER BRACKET, LH	1	
	408-610	TOP CORNER BRACKET, RH	1	
106	408-630	THREADED STRIP, side windscreen	2	
107	408-620	BRACKET, bottom corner	2	
108	408-230	SIDE SUPPORT, LH	1	
	408-240	SIDE SUPPORT, RH	1	
109	408-285	STUD, upper, windscreen side support	2	
110	408-295	STUD, lower, windscreen side support	2	
111	323-918	SCREW SET, windscreen frame	1	26 screws
112		COWL BRACKET, LH	1	
		COWL BRACKET, RH	1	
113	281-188	PAD SET, bracket to cowl	1	2 rubber pads
114	408-250	SPACER, bracket to cowl	2	
115	323-898	SCREW SET, bracket to cowl	1	8 screws & nuts
116	225-400	WING NUT	2	
117	408-660	CONE SPACER, wing nut	2	
118	311-170	DOME NUT, side support	2	
119	311-180	LOCK NUT, dome nut	2	
120	408-650	'D' WASHER, lock nut	2	
121	407-350*	SIDE MIRROR, windscreen, RH	1	with bracket (TC style)
	407-347	MIRROR HEAD	1	TC type without medallion
	407-357	GLASS LENS	1	
122	407-400	BRACKET, for mirror, RH	1	
	407-500*	BRACKET, for mirror, LH	1	
123	AJD2246	SCREW	2	

*Note: Windscreen bracket will require drilling and tapping to mount the above mirrors.
 *For an alternative bracket that doesn't require drilling, read on.

Easy Fit (Side) Mirror Bracket & Stem

The TA, TB, TC mirror bracket was attached to the windscreen by two screws and, if you wanted to fit the same optional mirror to the passenger side of the windscreen on TD and TF models, then holes had to be drilled and tapped in the windscreen frame.
 Our new style of bracket (supplied with dome nut, taper & flat washers) is suitable for right or left hand installation, fitting directly into the securing slot of the windscreen when in the lowered position.
 Now you can put down that electric drill and stop trembling because no drilling is required! Moreover, the bracket is not a permanent fitment. Using the 407-347 mirror head, excellent rear visibility is offered - even when the high mount luggage rack is installed.

407-488	BRACKET KIT (side mirror)	a/r
	(fits left or right hand side of windscreen)	

Number Plates (Pressed)

These items are identical to those used on cars in the 1940's, '50s and '60s. We supply these pressed plates with up to 7 letters or numbers of your choice.

Available to special order only, please call your local Moss branch for full details.

NI NP1	Pressed Number Plates	a/r
--------	-----------------------	-----



90 | Nuts, Bolts & Fasteners

Threaded Fittings On MG 'T' Types

It's probably a good idea to explain the different thread forms employed on the hardware fitted to your car.

1 - 'Nuffield Metric'

This is the 'oddball' thread/hex head combination to be found on MPJG and XPAG/XPEG engines and gearboxes. When Morris took over the French Hotchkiss Plant at Coventry in 1923, they retained the continental metric tooling (presumably for reasons of cost). To make the situation more palatable for the Whitworth spanner wielding British public, Morris devised imperial hex head sizes for the metric hardware. This is why power unit production up to and including the T Type used such a strange, hybrid range of nuts, bolts and studs.

While the thread angle of the Nuffield metric form is the same as standard ISO metric thread (60°), the pitch is different; although you can hunt around and might find an old metric screw that fits your engine, it really is more worthwhile and less time consuming to purchase your engine hardware from us. An added bonus of taking the latter course is the peace of mind gained from knowing that our hardware is made from the correct material for the task!

2 -Whitworth

Conceived by Sir Joseph Whitworth in 1841, the range of Whitworth forms consists of four distinct types: British Standard Whitworth (BSW), British Standard Fine (BSF), British Standard Pipe (BSP) and British Standard Pipe Tapered (BSPT). On T Types, most body and chassis hardware is BSF, with a sprinkling of BSW. All pipe-work (oil, fuel and brake hydraulics) is BSP.

3 - British Association

A particularly fine thread form originally developed for clock and watch manufacture, 'British Association'(BA) hardware is used in electrical components and generally wherever screws smaller than 1/4" BSF are required. Unlike other threads which are identified by their dimensions, the BA sizes range from OBA to 16BA (the higher the number, the smaller the size). The most common automotive size is 2BA.

4 - Unified

A comparatively recent thread form, "Unified National Fine"(UNF) and "Unified National Coarse"(UNC) are only to be found on the running gear of late TD's & TF's (and just about everything on MGA's, MGB's)



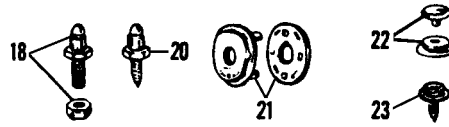
Taps & Dies

Tap & Die Set 385-708
(25 piece set, inc. all items listed below)

	Taps;	Dies;
5mm x 0.75 mm	385-705	385-825
6mm x 1.0 mm	385-710	385-830
8mm x 1.0 mm	385-715	385-835
10mm x 1.5 mm	385-720	385-840
12mm x 1.5 mm	385-725	385-845
2BA	385-730	385-850
1/4 BSF x 26	385-735	385-855
5/16 BSF x 22	385-740	385-860
3/8 BSF x 20	385-745	385-865
7/16 BSF x 18	385-750	385-870
1/2 BSF x 16	385-755	385-875
Tap Spanner	385-700	
Die Holder, 1 5/16" stock	385-810	
Die Holder, 1" stock	385-820	

'Screw & Washer' and 'Bolt & Nut' Sets

323-818	Screw & Washer Set, floorboards	1	TA, TB, TC
323-828	Screw & Washer Set, floorboards	1	TD, TF1
323-838	Screw & Washer Set, dash, (8 each)	1	TA, TB, TC
323-848	Screw & Washer Set, dash, (8 each)	1	TD
321-778	Bolt & Nut Set, wing & running boards to body	1	TA, TB, TC
321-478	Bolt & Nut Set, instrument panel, dash, (8 of each)	1	TA, TB, TC, TD
321-758	Bolt & Nut Set, wing & running boards to body	1	TD
321-768	Bolt & Nut Set, wing & running boards to body	1	TF
323-778	Bolt & Nut Set, windscreen bracket to cowl (6 screws & nuts)	1	TA, TB, TC
323-898	Bolt & Nut Set windscreen bracket to cowl, (8 screws & nuts)	1	TD, TF



18	226-708	Stud & Nut (1 stud & 1 nut)	a/r
20	552667	Stud, self-tapping	a/r
21	LFS100S	'Snap & Plate', 4-prong, ('lift the dot')	a/r
22	227-108	Button Snap	a/r
23	610624	Stud (button snap)	a/r

General Fasteners

Part No	Item	Spanner Size	TPI	Diameter	Thread	Length
AJD6155Z	BOLT	3/16"	26	1/4"	BSF	5/8"
AJD6108Z	BOLT	3/16"	26	1/4"	BSF	1"
320-200	BOLT	3/16"	26	1/4"	BSF	1 1/4"
320-360	BOLT	1/4"	22	5/16"	BSF	3/4"
320-370	BOLT	1/4"	22	5/16"	BSF	1"
320-380	BOLT	1/4"	22	5/16"	BSF	1 1/4"
320-390	BOLT	1/4"	22	5/16"	BSF	1 1/2"
320-400	BOLT	1/4"	22	5/16"	BSF	1 3/4"
AJD6216Z	BOLT	1/4"	22	5/16"	BSF	2"
320-420	BOLT	1/4"	22	5/16"	BSF	2 1/2"
320-430	BOLT	1/4"	22	5/16"	BSF	2 3/4"
320-560	BOLT	5/16"	20	3/8"	BSF	3/4"
AJD6308Z	BOLT	5/16"	20	3/8"	BSF	1"
AJD6310Z	BOLT	5/16"	20	3/8"	BSF	1 1/4"
320-600	BOLT	5/16"	20	3/8"	BSF	1 1/2"
320-610	BOLT	5/16"	20	3/8"	BSF	2 1/2"
320-620	BOLT	5/16"	20	3/8"	BSF	2 3/4"
320-680	BOLT	3/8"	18	7/16"	BSF	1"
320-690	BOLT	3/8"	18	7/16"	BSF	2"
320-720	BOLT	7/16"	16	1/2"	BSF	1 3/4"
320-730	BOLT	7/16"	16	1"	BSF	2 1/2"
320-260	BOLT	1/4"	1mm	8mm	special metric	17mm
320-270	BOLT	1/4"	1mm	8mm	nyloc metric	21.5mm
320-290	BOLT	1/4"	1mm	8mm	nyloc metric	1"
AJD8012Z	NUT	1/8"	30	3/16"	2BA	
AJD8104	NUT	3/16"	26	1/4"	BSF	
AJD8105Z	NUT	1/4"	22	5/16"	BSF	
311-150**	NUT	1/4"	22	5/16"	BSF	
311-220	NUT	5/16"	20	3/8"	BSF	
311-240**	NUT	5/16"	20	3/8"	BSF	
311-280	NUT	3/8"	18	7/16"	BSF	
311-100	NUT	1/4"	1mm	8mm	special metric	
311-080**	NUT	13mm	1mm	8mm	metric nyloc	
311-190	NUT	17mm	1.5mm	10mm	special metric	

*Note: All spanner sizes refer to Whitworth and metric spanners.

**Note: Denotes self-locking hex nut.

Self Tapping Screws

Size	Length	Pan Headed	Countersunk Headed
No. 4	1/4"	AB604021	AC604021
No. 6	1/4"	AB606021	
No. 6	3/8"	AB606031	
No. 6	1/2"	AB606041	AC606041
No. 6	3/4"	AB606061	AC606061
No. 6	1"	AB606081	AC606081
No. 8	1/2"	AB608041	AC608041
No. 8	3/4"	AB608061	AC608061
No. 8	1"	AB608081	
No. 10	1/2"	AB610041	AC610041
No. 10	3/4"	AB610061	AC610061
No. 10	1"	AB610081	AC610081
No. 12	1/2"	AB612041	AC612041
No. 12	3/4"	AB612061	
No. 12	1"	AB612081	AC612081
No. 14	3/4"	AB614061	AC614061
No. 14	1"	AB614081	AC614081

B = Pan Head

C = Countersunk Head

1st digit = thread type (coarse or fine)

2nd/3rd digit = diameter

4th/5th = length in 1/8" increments

6th = finish (1 = zinc plated)

Plain Brass - Manifold

(Full Nut)

(Not used on T-Types, but what about your other classic ?)

Part Number	Thread Size	Spanner Size
GHF261	5/16" UNF	1/2"
GHF262	3/8" UNF	9/16"
GHF270	5/16" UNC	1/2"
GHF269	3/8" UNC	9/16"

Screw Size	Flat Type	'U' Type
No. 6	GHF700	GHF711
No. 8	GHF701	GHF712
No. 10	GHF702	GHF713
No. 12	GHF703	GHF714
No. 14	GHF704	

Captive Nuts

Captive nuts consist of a square nut & cage which we supply individually as required. Always match nut & cage A.F. sizes.

Part Number	Description	Thread Size
NQ2707	Nut, 7/16" AF	1/4"
NQ2708	Nut, 5/8" AF	5/16"
CN4	Nut, fits CN3 cage	1/4"
CN5	Nut, 1/2" AF	5/16"

Part Number	Description	Spanner (AF) Size
CN2	Cage, square	7/16"
CN3	Cage, oblong	7/16"
600032	Cage, square	1/2"

Shake-proof Washers

Hole Size	Internal Star	External Star
No. 6	WF704061	WE704061
3/16"	WF702101	WE702101
1/4"	WF600041	WE600041
5/16"	WF600051	WE600051
3/8"	WF600061	WE600061
7/16"	WF600071	WE600071
1/2"	WF600081	WE600081
9/16"	WF600091	WE600091
5/8"	WF600101	WE600101

Locking Washers Spring Type

Hole Size	Single Coil	Double Coil
No. 6	WL700061	
No. 8	WL700081	
3/16"	WL700101	AJD7721
1/4"	GHF331	AJD7722
5/16"	GHF332	AJD7731
3/8"	GHF333	AJD7742
7/16"	GHF334	
1/2"	GHF335	
5/8"	GHF336	

Plain Washers

Hole Size	Standard Type	Repair Type
No. 6		WP3
No. 8		WP4
3/16"	GHF306	WP5
1/4"	GHF300	WP120
5/16"	GHF301	WP105
3/8"	GHF302	WP130
7/16"	GHF303	WM69
1/2"	GHF304	
9/16"		WP12
5/8"		PWZ110

Sealing Washers

Hole Size	Fibre Washer	Copper Washer
3/16"	WF505	
1/4"	GHF342	GHF361
5/16"	GHF343	GHF362
3/8"	GHF344	GHF363
7/16"	GHF345	GHF364
1/2"	GHF346	GHF365
9/16"	GHF347	
5/8"	GHF348	

Studs

A stud is a length of round bar threaded at both ends. The length of thread at each end of the stud may vary for specific applications. The following list is of studs have fine (UNF) threads at both ends.

Part Number	Diameter	Overall length
TE604081	1/4"	1"
TE604091	1/4"	1 1/8"
TE604101	1/4"	1 1/4"
TE605101	5/16"	1 1/4"
TE605111	5/16"	1 3/8"
TE605121	5/16"	1 1/2"
TE605131	5/16"	1 5/8"
TE605141	5/16"	1 3/4"
TE605151	5/16"	1 7/8"

Studs cont...

Part Number	Diameter	Overall length
TE605181	5/16"	2 1/4"
TE605201	5/16"	2 1/2"
TE605221	5/16"	2 3/4"
TE605251	5/16"	3 1/8"
TE605291	5/16"	3 5/8"
TE606101	3/8"	1 1/4"
TE606111	3/8"	1 3/8"
TE606121	3/8"	1 1/2"
TE606141	3/8"	1 3/4"
TE606151	3/8"	1 7/8"

The following studs have fine (UNF) threads at one end and course (UNC) at the other.

Part Number	Diameter	Overall length
TE504081	1/4"	1"
TE504131	1/4"	1 5/8"
TE505091	5/16"	1 1/8"
TE505111	5/16"	1 3/8"
TE505121	5/16"	1 1/2"
TE505131	5/16"	1 5/8"
TE505141	5/16"	1 3/4"
TE505151	5/16"	1 7/8"
TE505161	5/16"	2"
TE505181	5/16"	2 1/4"
TE505201	5/16"	2 1/2"
TE505221	5/16"	2 3/4"
TE505241	5/16"	3"
TE505261	5/16"	3 1/4"
TE505271	5/16"	3 3/8"
TE505281	5/16"	3 1/2"
TE505341	5/16"	4 1/4"
TE506101	3/8"	1 5/16"
TE506131	3/8"	1 5/8"
TE506141	3/8"	1 3/4"
TE506161	3/8"	2"
TE506201	3/8"	2 1/2"
TE506361	3/8"	3 1/2"

The following studs have course (UNC) threads at both ends.

Part Number	Diameter	Overall length
101442	3/8"	1 5/8"
058688	3/8"	1 11/16"
115696	3/8"	1 1 3/16"
058917	3/8"	1 15/16"
102474	3/8"	2 1/16"
107055	3/8"	2 3/8"

Dowels

Part Number	Diameter	Overall length
DP204	1/8"	1/4"
DP205	1/8"	5/16"
DP306	3/16"	3/8"
DP407	1/4"	7/16"
DP408	1/4"	1/2"
DP410	1/4"	5/8"
DP411	1/4"	11/16"
DP414	1/4"	7/8"
DP508	5/16"	1/2"
DP514	5/16"	7/8"
DP608	3/8"	1/2"
DP610	3/8"	5/8"
DP610	3/8"	13/16"

Clevis Pins

(Measured from under head to end)

Part Number	Length	Diameter
108326	1/2"	1/8"
PJ8504	3/8"	3/16"
CLZ307	7/16"	3/16"
CLZ308	1/2"	3/16"
CLZ309	9/16"	3/16"
CLZ310	5/8"	3/16"
CLZ311	11/16"	3/16"
CLZ312	3/4"	3/16"
CLZ313	1 3/16"	3/16"
CLZ314	7/8"	3/16"
CLZ315	15/16"	3/16"
CLZ316	1"	3/16"
CLZ317	1 1/16"	3/16"
	3/8"	1/4"
	7/16"	1/4"
CLZ408	1/2"	1/4"
CLZ409	9/16"	1/4"
CLZ410	5/8"	1/4"
CLZ411	11/16"	1/4"
CLZ412	3/4"	1/4"
CLZ413	13/16"	1/4"
CLZ414	7/8"	1/4"
CLZ415	15/16"	1/4"
CLZ416	1"	1/4"
CLZ417	1 1/16"	1/4"
CLZ427	1 11/16"	1/4"
	1/2"	5/16"
	9/16"	5/16"
CLZ510	5/8"	5/16"
CLZ511	11/16"	5/16"
CLZ512	3/4"	5/16"
CLZ513	13/16"	5/16"
CLZ514	7/8"	5/16"
CLZ515	15/16"	5/16"
CLZ516	1"	5/16"
CLZ517	1 1/16"	5/16"
CLZ518	1 1/8"	5/16"

Split Pins

Part Number	Length	Diameter
GHF500	1 1/2"	1/16"
GHF501	1 1/2"	5/64"
GHF502	1 1/2"	3/32"
GHF503	2 1/4"	7/64"
GHF504	2 1/4"	1/8"
GHF505	2 1/4"	9/64"
GHF506	2 1/4"	5/32"
GHF513	3"	5/16"

Brake & Fuel Pipe

Supplied in 25 foot rolls.

Part Number	Material	Diameter
MPKF125	Cupro-nickel	3/16"
MPKF225	Cupro-nickel	1/4"
MPKF325	Cupro-nickel	5/16"
EF125	Steel	3/16"
EF225	Steel	1/4"
EF325	Steel	5/16"

Pipe Nuts Male, Steel.

Part Number	Thread Size	Pipe Bore
TM606031	3/8" UNF	3/16"
TM110051	10mm x 1mm	3/16"
LK21994	3/8" BSF	3/16"
BCA4370	7/16" UNF	3/16"
BHA4706	7/16" UNF	1/4"
AUSU40A	1/2" UNF	5/16"

Pipe Nuts Male, Brass.

Part Number	Thread Size	Pipe Bore
AEHU1	3/8" UNF	3/16"
AEHU2	10mm x 1mm	3/16"
AEHU3	3/8" BSF	3/16"
AEHU7	7/16" UNF	1/4"

Pipe Nuts Female, Steel.

Part Number	Thread Size	Pipe Bore
TN606031	3/8" UNF	3/16"
SU2A	10mm x 1mm	3/16"
SU4A	7/16" UNF	1/4"
HU41A	1/2" UNF	5/16"

Pipe Nuts Female, Brass.

Part Number	Thread Size	Pipe Bore
AEHU1A	3/8" UNF	3/16"
AEHU2A	10mm x 1mm	3/16"
AEHU4A	7/16" UNF	1/4"

Bleed Screws

Part Number	Thread Size
556508A	3/8" UNF
608400A	10mm metric
27H7166	3/8" BSF

Pipe Clips

Part Number	Capacity
GHF1191	SINGLE, 3/16"
GHF1192	SINGLE, 1/4"
624155	DOUBLE, 3/16"
	DOUBLE, 1/4"

Grease Nipples

Part Number	Thread Size	Angle
UHN400	1/8" BSP	straight, short
UHN445	1/8" BSP	450 angle
LN30041	1/8" BSP	900 angle
144825	1/8" BSP	straight, long
056935	1/4" BSP	straight
125361	1/4" BSP	450 angle
056934	1/4" BSP	900 angle

Petrol Pipe Clips (Metric) (‘Enots’ type)

Part Number	to suit diameter
GGT1108X	8mm
GGT1109X	9mm
GGT1110X	10mm
GGT1111X	11mm
GGT1112X	12mm
GGT1113X	13mm
GGT1114X	14mm
GGT1115X	15mm
GGT1116X	16mm
GGT1117X	17mm

Hose Clips (‘Jubilee’ type) Mild Steel (Imperial)

Part Number	to suit diameter
GHC304	3/8" - 1/2"
GHC405	7/16" - 5/8"
GHC406	1/2" - 3/4"
GHC507	5/8" - 7/8"
GHC608	3/4" - 1"
GHC709	5/8" - 1 1/8"
GHC811	1" - 1 3/8"
GHC913	1 1/8" - 1 5/8"
GHC1015	1 3/8" - 2"
GHC1217	1 1/2" - 2 1/4"
GHC1622	2" - 2 3/4"
GHC2228	2 3/4" - 3 1/2"
GHC2632	3 1/4" - 4"
GHC3036	3 3/4" - 4 1/2"
GHC3340	4 1/8" - 5"

Hose Clips Stainless Steel (Metric)

Part Number	to suit diameter
GHC10408	8 - 12 mm
GHC10410	12 - 18 mm
GHC10411	8 - 16 mm
GHC10412	12 - 20 mm
GHC10413	16 - 25 mm
GHC10414	20 - 32 mm
GHC10415	25 - 40 mm
GHC10416	32 - 50 mm
GHC10417	46 - 60 mm
GHC10418	50 - 70 mm
GHC10419	60 - 80 mm
GHC10420	70 - 90 mm
GHC10421	80 - 100 mm

Hose Clips (‘Supergrip’ type) (with single slotted hexagon head)

Part Number	to suit diameters
CS4009	7/16" - 9/16"
CS4011	1/2" - 11/16"
CS4012	9/16" - 3/4"
CS4013	5/8" - 13/16"
CS4014	1 1/16" - 7/8"
CS4016	3/4" - 1"
CS4017	13/16" - 1 1/16"
CS4018	7/8" - 1 1/8"
CS4020	1" - 1 1/4"
CS4022	1 1/8" - 1 3/8"
CS4023	1 1/4" - 1 7/16"
CS4024	1 5/16" - 1 1/2"
CS4025	1 3/8" - 1 9/16"

Hose Clips cont... (‘Supergrip’ type)

Part Number	to suit diameters
CS4026	1 7/16" - 1 5/8"
CS4028	1 9/16" - 1 3/4"
CS4029	1 5/8" - 1 13/16"
CS4030	1 11/16" - 1 7/8"
CS4032	1 7/8" - 2"
CS4034	1 15/16" - 2 1/8"
CS4036	2 1/16" - 2 1/4"
CS4037	2 1/8" - 2 5/16"
CS4038	2 3/16" - 2 7/16"
CS4039	2 1/4" - 2 7/16"
CS4040	2 5/16" - 2 1/2"
CS4041	2 3/8" - 2 9/16"
CS4042	2 7/16" - 2 5/8"
CS4048	2 13/16" - 3"
CS4052	3 1/16" - 3 1/4"

Original ‘Supergrip’ clips were supplied with a with single slotted round-head screw. The modern replacement comes with a hexagon headed screw. For the authentic look we have resourced the original type screw, (sold separately).

CS4099 (round-head screw)

‘P’ Clips Imperial

Part Number	Cable Diameter	Hole Size
PCR207	1/8"	7/32"
PCR307	3/16"	7/32"
PCR309	3/16"	9/32"
PCR311	3/16"	11/32"
PCR407	1/4"	7/32"
PCR409	1/4"	9/32"
PCR411	1/4"	11/32"
PCR507	5/16"	7/32"
PCR509	5/16"	9/32"
PCR511	5/16"	11/32"
PCR607	3/8"	7/32"
PCR609	3/8"	9/32"
PCR611	3/8"	11/32"
PCR707	7/16"	7/32"
PCR709	7/16"	9/32"
PCR711	7/16"	11/32"
PCR807	1/2"	7/32"
PCR809	1/2"	9/32"
PCR811	1/2"	11/32"
PCR813	1/2"	13/32"
PCR1007	5/8"	7/32"
PCR1009	5/8"	9/32"
PCR1011	5/8"	11/32"
PCR1207	3/4"	7/32"
PCR1209	3/4"	9/32"
PCR1211	3/4"	11/32"
PCR1407	7/8"	7/32"
PCR1409	7/8"	9/32"
PCR1411	7/8"	11/32"
PCR1607	1"	7/32"

‘P’ Clips Metric

Part Number	Cable Diameter	Fixing Hole size
CP105081	8mm	5mm
CP108101	10mm	8mm
CP108121	12mm	8mm
CP106161	16mm	6mm
CP108165	16mm	8mm

Steel Balls

Part Number	Diameter
BLS106	3/16"
BLS108	1/4"
BLS110	5/16"
BLS112	3/8"
BLS28	7/16"

Pop Rivets Open End Type

Part Number	Diameter
RA607096	2.9 x 5mm
RA608126	1/8" x 3/16"
RA608176	1/8" x 1/4"
RA608236	1/8" x 5/16"
RA608253	1/8" x 3/8"

Pop Rivets Closed End Type

Part Number	Diameter
RU608123	1/8" x 3/8"
RU608313	1/8" x 1/2"
RU612123	3/16" x 5/16"

Cable Ties

Part Number	Length
GHF1265	3 1/2"
GHF1266	5 1/4"
RTC222A	6"
GHF1267	8 3/4"
GHF1268	11"



MG T Type Paints by Classic Car Colours

Factory Listed T Type Colour	Alternative Names	Classic Car Colours Name	Aerosol 300ml	'Touch In' 125ml
MG TA (1936-39)				
Saxe Blue	Abingdon Blue	Trafalgar Blue	CCBU37	CCBU37TU
Racing Green	Dublin Green	Racing Green	CCGN25	CCGN25TU
	Emgee Green			
	Apple Green			
Carmine Red	Emgee Red	Reno Red	CCRD14	CCRD14TU
	Coral Red			
Black	-	Super Gloss Black	CCSB1	CCSB1TU
MG TB (1939)				
Saxe Blue	Abingdon Blue	Trafalgar Blue	CCBU37	CCBU37TU
Coral Red	Emgee Red	Reno Red	CCRD14	CCRD14TU
	Carmine Red			
Apple Green	Dublin Green	Racing Green	CCGN25	CCGN25TU
	Emgee Green			
Duo Green		Willow Green	CCGN33	CCGN33TU
		Westminster Green	CCGN32	CCGN32TU
Maroon		Embassy Maroon	CCRD21	CCRD21TU
Metallic Grey		Regency Grey Metallic	CCGR14	CCGR14TU
Black		Super Gloss Black	CCSB1	CCSB1TU
MG TC (1945-49)				
Red	MG Red	Reno Red	CCRD14	CCRD14TU
	Regency Red			
Green	Shires Green	Almond Green	CCGN37	CCGN37TU
	MG Green			
Cream	Sequoia Cream	Ivory	CCYL5	CCYL5TU
Blue		Clipper Blue	CCBU14	CCBU14TU
Black		Super Gloss Black	CCSB1	CCSB1TU
MG TD (1949-53)				
Black		Super Gloss Black	CCSB1	CCSB1TU
MG Red		Reno Red	CCRD14	CCRD14TU
Autumn Red		Autumn Red	CCRD6	CCRD6TU
Almond Green		Almond Green	CCGN37	CCGN37TU
Ivory		Ivory	CCYL5	CCYL5TU
Clipper Blue		Clipper Blue	CCBU14	CCBU14TU
Sun Bronze		Not Available		
Woodland Green		British Racing Green (dark)	CCGN29	CCGN29TU
Silver Streak Grey Metallic	Silver Streak Grey Met.		CCGR25	CCGR25TU
MG TF (1953-55)				
Black		Super Gloss Black	CCSB1	CCSB1TU
MG Red		Reno Red	CCRD14	CCRD14TU
Almond Green		Almond Green	CCGN37	CCGN37TU
Ivory		Ivory	CCYL5	CCYL5TU
Birch Grey		Birch Grey	CCGR3	CCGR3TU
MG Green Metallic		MG Green Metallic	CCGN31	CCGN31TU

To provide those (vital) final touches, the following colours are also available.

		Aerosol 300ml	Brush On 500ml
Engine Paint	Dark Green (TA, TB, very early TC) Grey (TC up to 1948) Dark Red (TC 1948 on, TD, TF)	CCEP14 CCEP13 CCEP1	
Wheel Paint	Silver (Wire or Steel)	CCWP1	
Chassis Paint	Black Enamel*		CCCB1BR
Hood/Side Screen Frames	Tan	CCHP1	
Instrument Panel	Black (TA, TB, early TC#) Bronze (later TC#, TD, TF)	CCSB1 CCDP1	

branches: **Bradford**
4 Bolton Lane, Canal Road
Bradford, West Yorkshire BD2 1DR
Tel 01274 735 537 Fax 01274 735 595
E-mail bradford@moss-europe.co.uk

Bristol
1-3 Elton Street, Bristol, Avon BS2 9EH
Tel 0117 923 2523 Fax 0117 942 8236
E-mail bristol@moss-europe.co.uk

Darlington
15 Allington Way, Yarm Road Ind. Est.
Darlington, County Durham DL1 4QB
Tel 01325 281 343 Fax 01325 485 563
E-mail darlington@moss-europe.co.uk

Derby
850 London Road, Derby DE24 8WA
Tel 01332 756 056 Fax 01332 572 332
E-mail derby@moss-europe.co.uk

London
Hampton Farm Industrial Estate
Hanworth, Middlesex TW13 6DB
Tel 020 8867 2020 Fax 020 8867 2030
E-mail sales@moss-europe.co.uk

Manchester
111-117 Stockport Road, Cheadle Heath
Stockport, Cheshire SK3 0JE
Tel 0161 480 6402 Fax 0161 429 0349
E-mail manchester@moss-europe.co.uk

website: moss-europe.co.uk

